

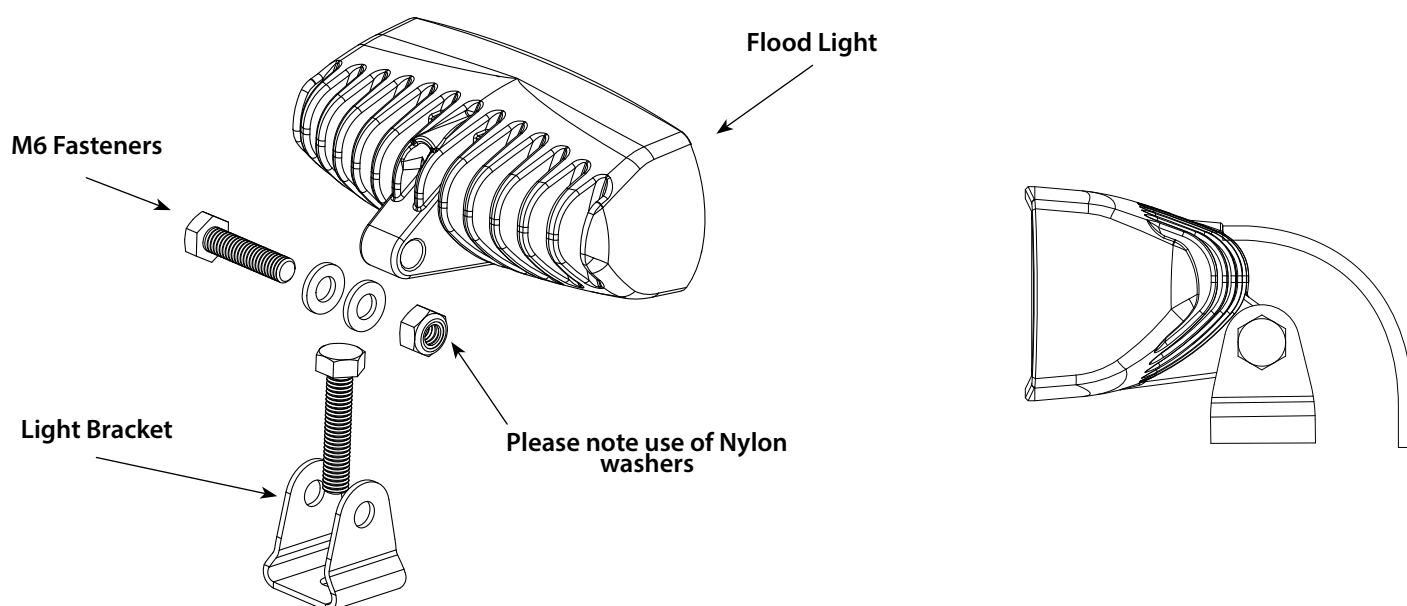


Please read the following pages before attempting installation to ensure complete understanding of Lumishore Flood Light 4". This product should only be installed, inspected, and maintained by a qualified electrician only, in accordance with all applicable electrical codes. Be certain electrical power is OFF before and during installation and maintenance.

Colour Output	Voltage	Amps (max)
Single Colour 4"	10-31VDC	1.7A

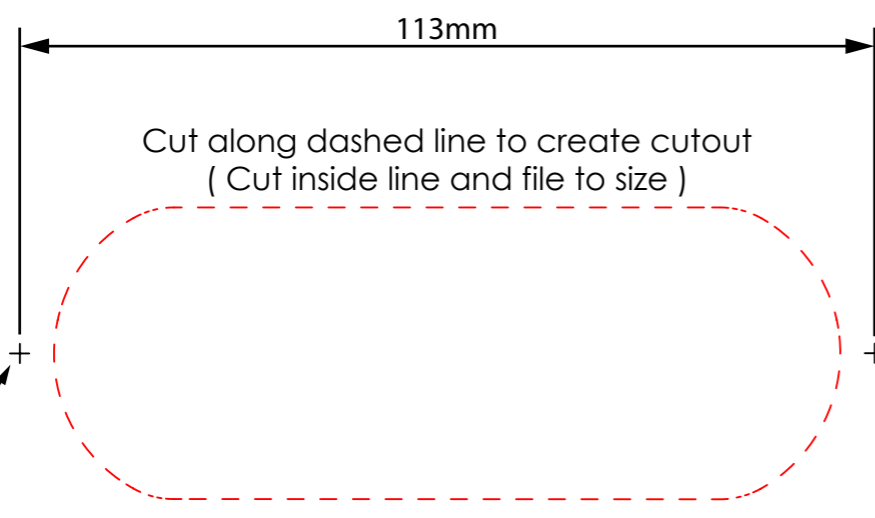
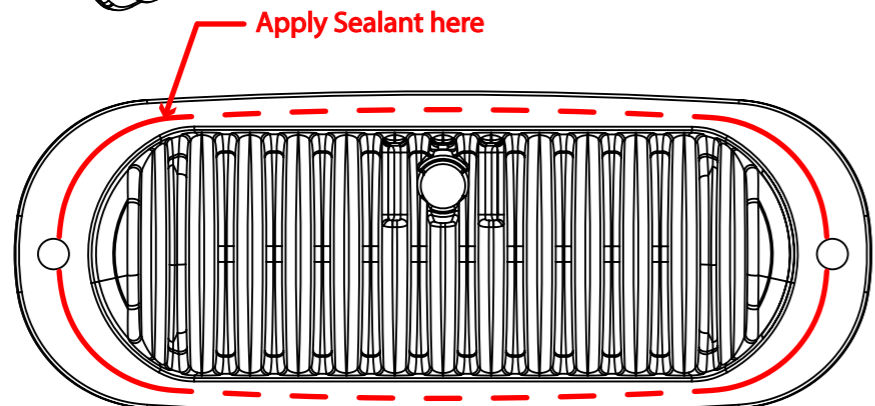
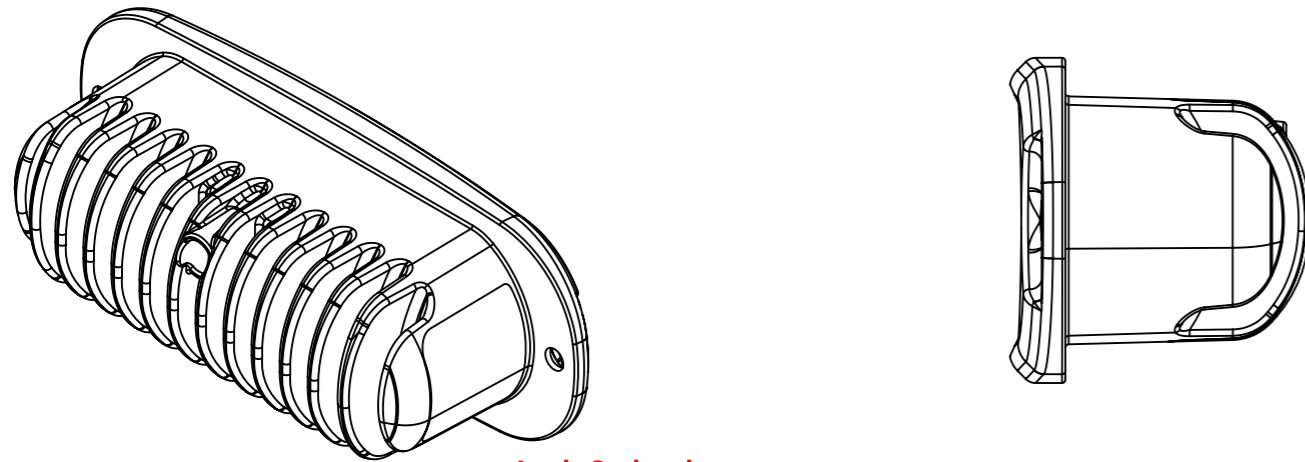
Installation Instructions (Bracket Mount):

1. Select mounting location. Mounting location should be flat and durable.
2. Using a suitable bit, drill the bracket hole. Bracket has a 6.5mm hole suitable for an M6 bolt (supplied), a louvre feature has been added to lock onto the bolt head and to avoid spinning when tightening.
3. Drill a 6mm (0.236in) hole for the cable. The cable should always be in a 'fixed' position, no movement or rotation. The cable entry should be made watertight, the use of a cable gland is recommended.
4. Fix bracket in place using supplied M6 bolt and nylon insert nut. Apply the appropriate torque based on fixings used and mounting surface.
5. Mount the flood light to bracket using the supplied M6 bolt, washers and nylon insert nut. Ensure nylon washers are placed on the inside of the stainless steel bracket. Tighten to a torque of 5Nm, DO NOT overtighten.



Installation Instructions (Flush Mount):

1. Select mounting location. Mounting location should be flat and durable. Check there are no obstructions behind the light location.
2. Using supplied template (45-0216), start with a small pilot hole and then carefully drill a 10mm hole in each corner followed by a saw to cut the sides. Note: Always cut smaller than needed and use a file to enlarge the hole if required.
3. Mount the light in location using a suitable marine grade sealant (such as 3m 4200). Screw the light in place with appropriate screws, and tighten to a torque not exceeding 5nM. Immediately clean any excess sealant with a rag and soapy water. (do not use chemicals as they may damage the light)

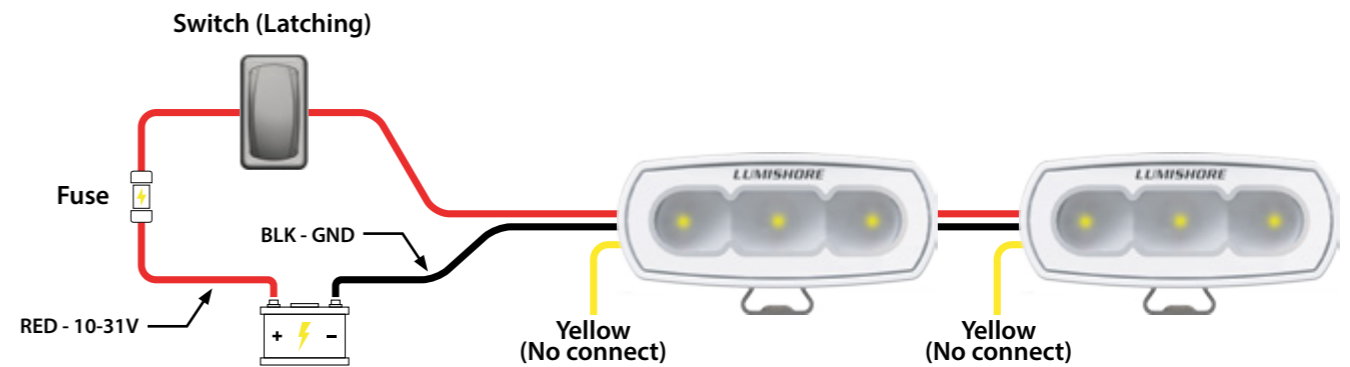


Pilot Drill,
Appropriate for Screw Size

Wiring Diagrams:

Wiring should be carried out as per ABYC guidelines. The Lumishore Flood Light 4" will operate with a simple On/Off switch, it can also be controlled by MFD via LUX Light Control Module and EOS-LUX Command Center. For further electrical installation instructions and wiring diagrams please refer to the LUX Light Module installation guide (45-0145). Each lighting circuit must be fused accordingly.

Single switch wiring - No MFD control via LUX Light Control Module

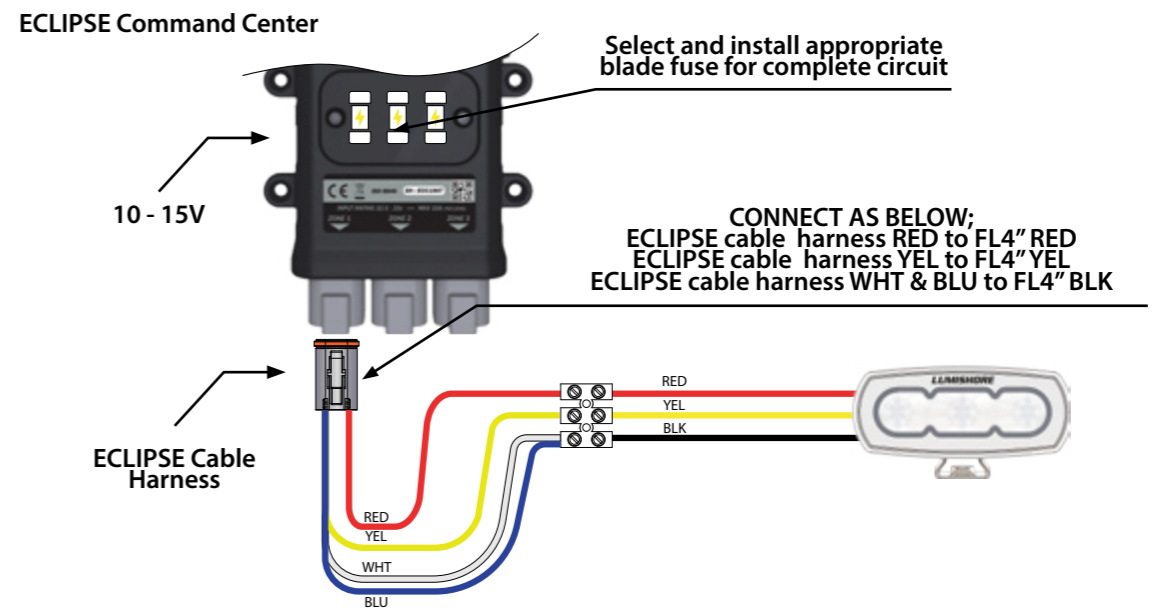


Light Operation (Latching switch):

1. Turn switch ON to power light at full power.
2. Toggle switch once to begin dimming cycle.
3. Toggle switch again to pause dimming cycle.
4. Turns switch OFF for 5 seconds to restart at full power

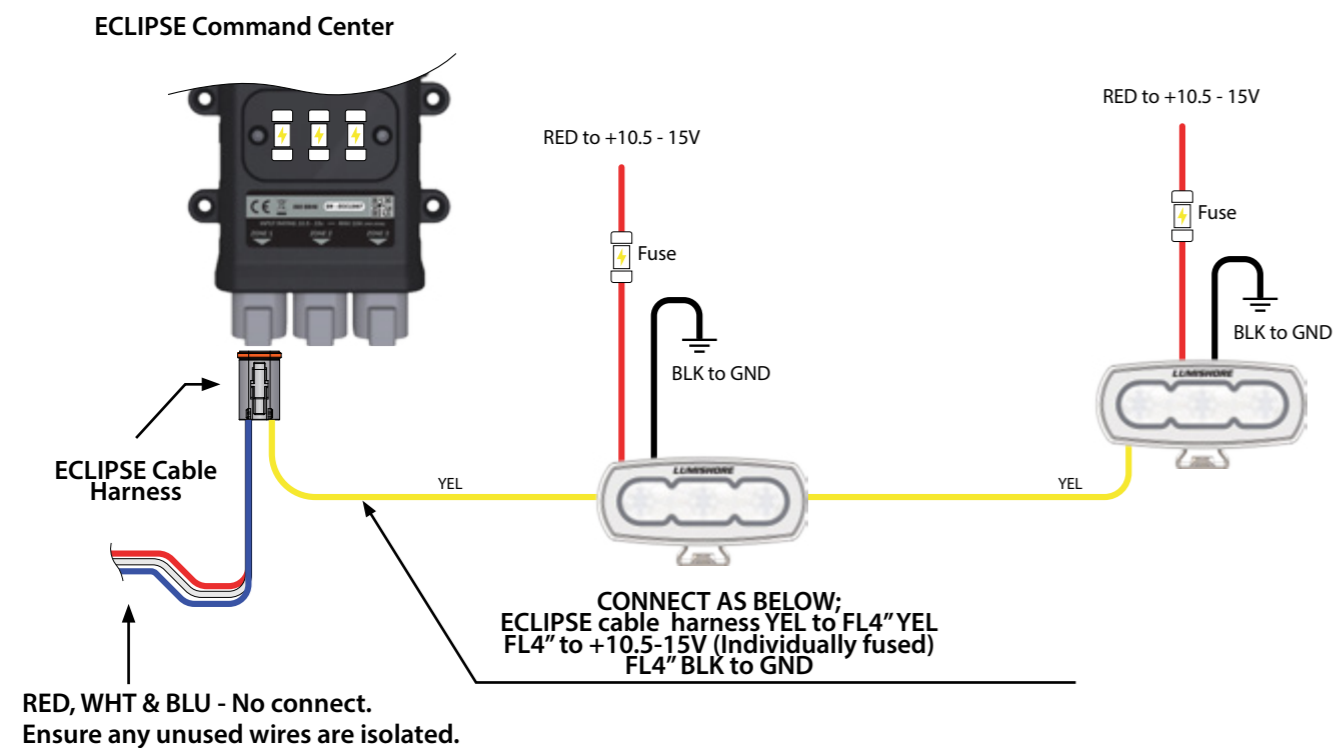
Up to 1 light - - ECLIPSE Command Center

Important! The ECLIPSE Command Center installation is suitable for 12V boats ONLY.

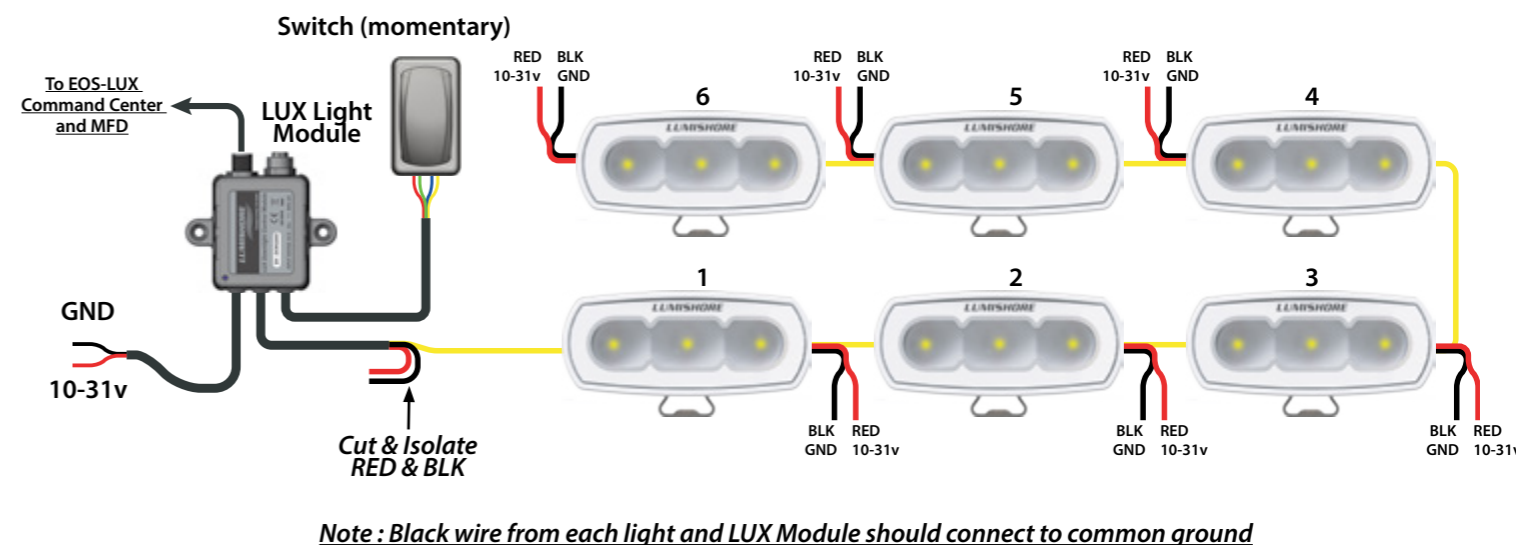


More than 1 light per Command Center

Important! The ECLIPSE Command Center installation is suitable for 12V boats ONLY.



More than 5 lights (max 16) - MFD Control via LUX Light Control Module



Light Operation (Momentary switch):

1. Press switch once to turn ON.
2. Press and hold to dim lights.
3. Press switch once to turn OFF.

Cleaning and Maintenance:

Use only soap and water to clean the light using a soft cloth. DO NOT use any chemical cleaners and DO NOT power wash. Inspection of the light should be carried out regularly.

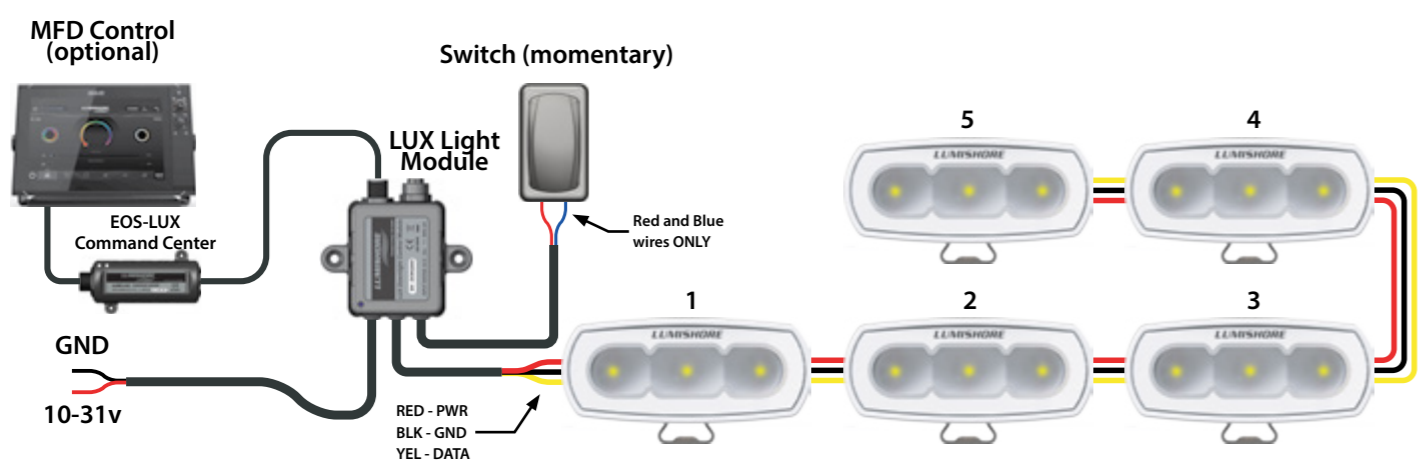
Warranty:

LUMISHORE Ltd warrants its lighting systems and associated lights and accessories to be free from defects in workmanship for a period of three years, starting from the date of original purchase. Should your lighting system have a problem during this period, please contact your dealer, boat manufacturer or broker as soon as you become aware of the defect.

Misuse, abuse, improper installation, neglect, improper shipping, damage caused by disasters (e.g. fire, flood, storm and lightning), installation by unqualified personnel, unauthorized repair or modification or non-approved installations will void this warranty. For the avoidance of confusion and doubt, non compliance with all installation guidelines, maintenance and operating instructions in this document constitute non conformance with warranty terms.

Full warranty details including exclusions are available at www.Lumishore.com.

Up to 5 lights - MFD Control via LUX Light Control Module



Light Operation (Momentary switch):

1. Press switch once to turn ON.
2. Press and hold to dim lights.
3. Press switch once to turn OFF.