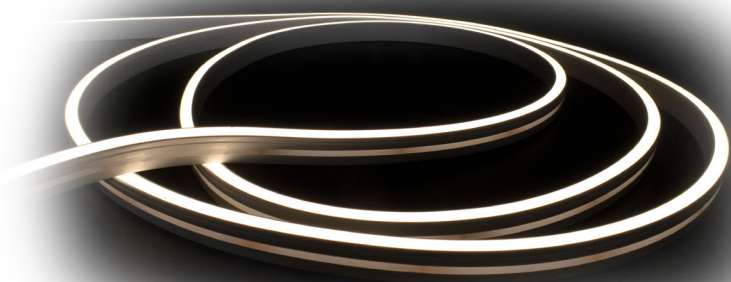


eclipse SNL100 Neon Flex Installation Guide

60-0511 - Neon Flex - Blue | 60-0512 - Neon Flex - White

60-0513 - Neon Flex - Blue and White | 60-0567 - Neon Flex - RGB

Please read the following pages before attempting installation.



Before you start...

- Always ensure that the vessel's power source and battery are disconnected or isolated prior to installation.
- A qualified professional should carry out both the electrical and mechanical installation.
- The ECLIPSE Neon Flex is fully sealed and can be installed inside or outside, it can be installed in wet areas but is not designed to be permanently submerged in water.
- Choose a location – the Neon Flex is made from UV resistant material but should not be installed in areas of strong direct sunlight.
- The Neon Flex has a bend radius of 120mm (4.724in) in the vertical axis, do not bend in the horizontal axis or twist the Neon Flex.
- The Neon Flex is designed to work with 12V boats ONLY. It can operate between 10-15Volts DC. Do not connect voltages outside of this range or connect directly to AC voltage.

Typical power rating = \approx 5 Watts / Meter (each channel).

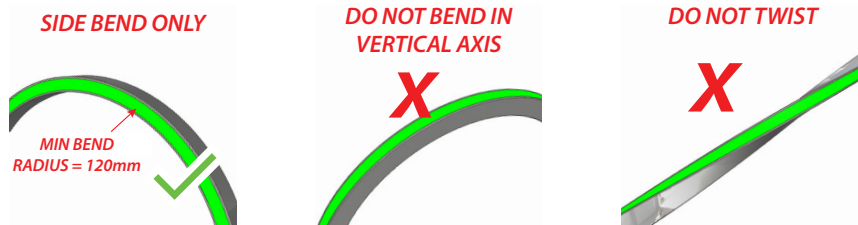


Important! DO NOT wire up both Blue and White channels to switch on at the same time.



Important! RGB Neon Flex MUST be used in conjunction with an ECLIPSE Command Center and optional expansion modules.

Handling & Manipulating :



DO NOT uncoil the Neon Flex by picking up one end - always uncoil it carefully along its length

DO NOT allow the Neon Flex light to drop or twist during install

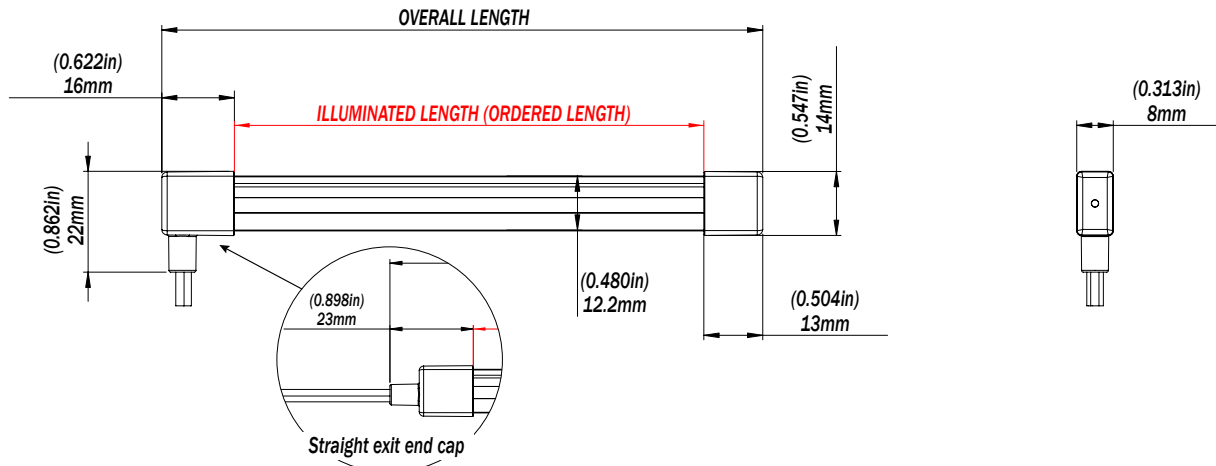
DO NOT apply excessive pressure to the Neon Flex this could damage the LED strip inside

DO NOT pull, stretch, twist or bend the Neon Flex in the vertical axis

ALWAYS use 2 people to install lengths of over 1m. One person to install, one person to hold and uncoil the Neon Flex

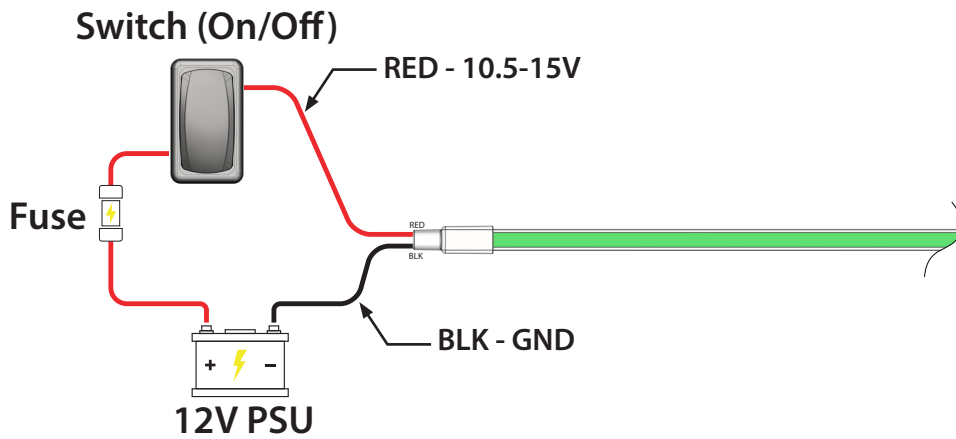
ALWAYS lay the Neon Flex out flat in a straight line - don't allow the Neon Flex to bend, kink, or coil in a heap

Basic Dimensions:



Installation Diagrams:

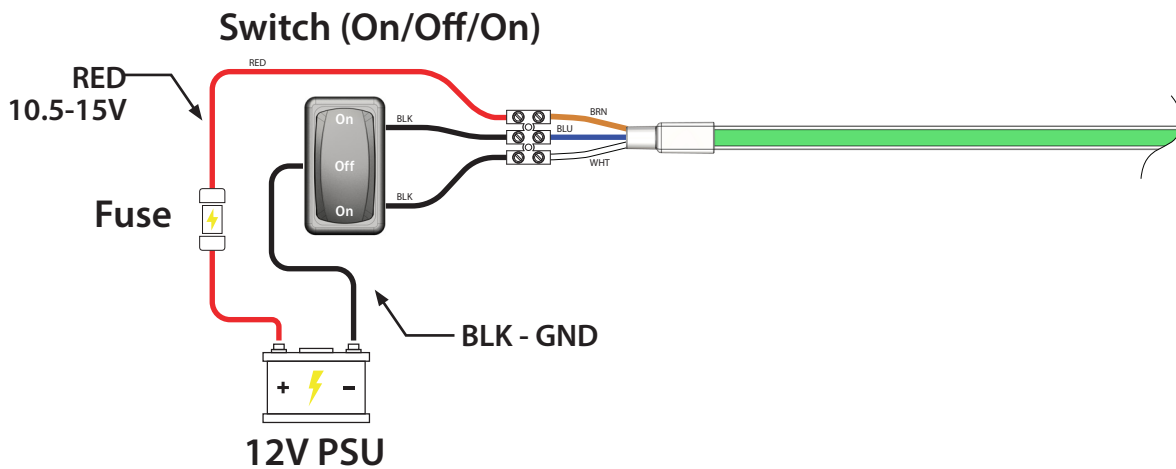
Single Color Neon Flex - Switch Connection



Dual Color Neon Flex - Switch Connection

Note: Switch connects to negative wires of Neon Flex.

⚠ Important! DO NOT wire up both Blue and White channels to switch on at the same time.

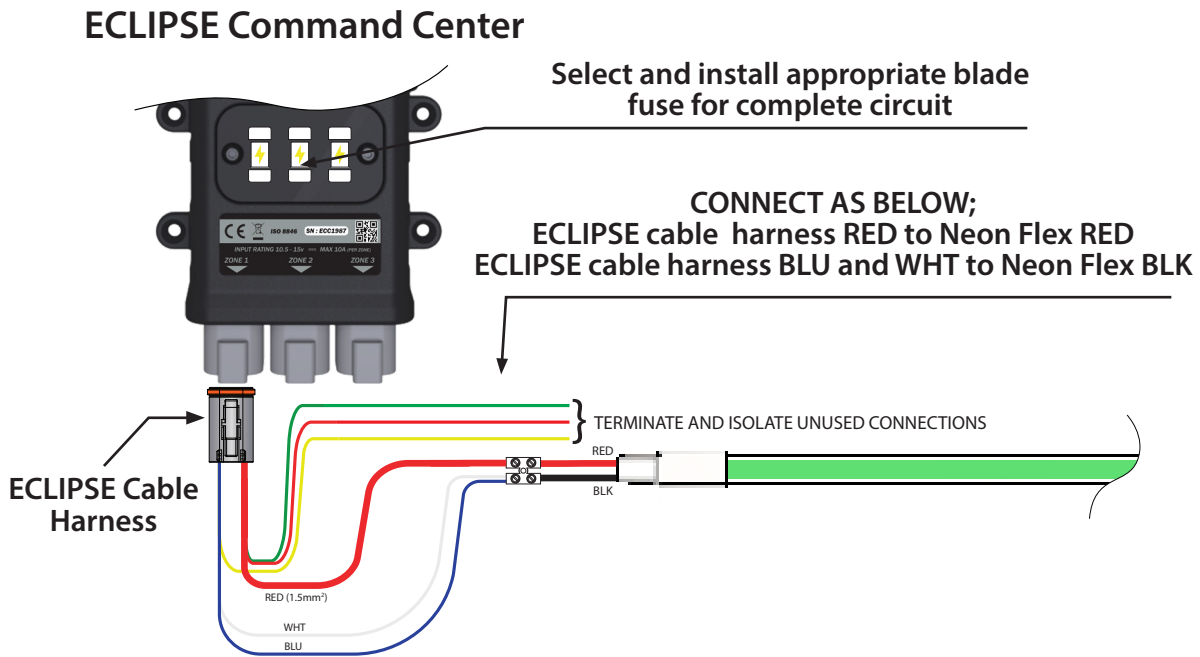


RGB Color Strip - Switch Connection

Note: DO NOT wire directly to switch. An ECLIPSE Command Center and optional expansion modules must be used.

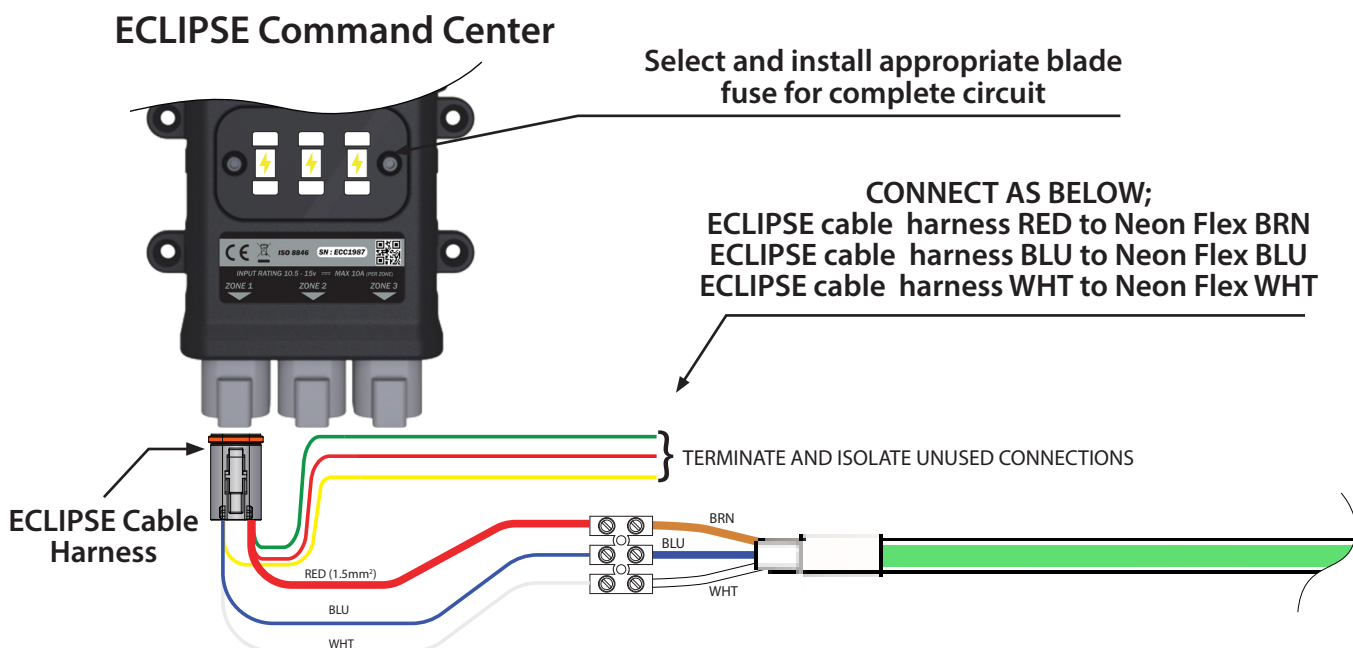
Single Color Neon Flex - ECLIPSE Command Center (max 20m per zone)

Note: For full ECLIPSE Command Center installation and control consult ECLIPSE Command Center installation manual.



Dual Color Neon Flex - ECLIPSE Command Center (max 20m per zone)

Note: For full ECLIPSE Command Center control consult ECLIPSE Command Center installation manual.

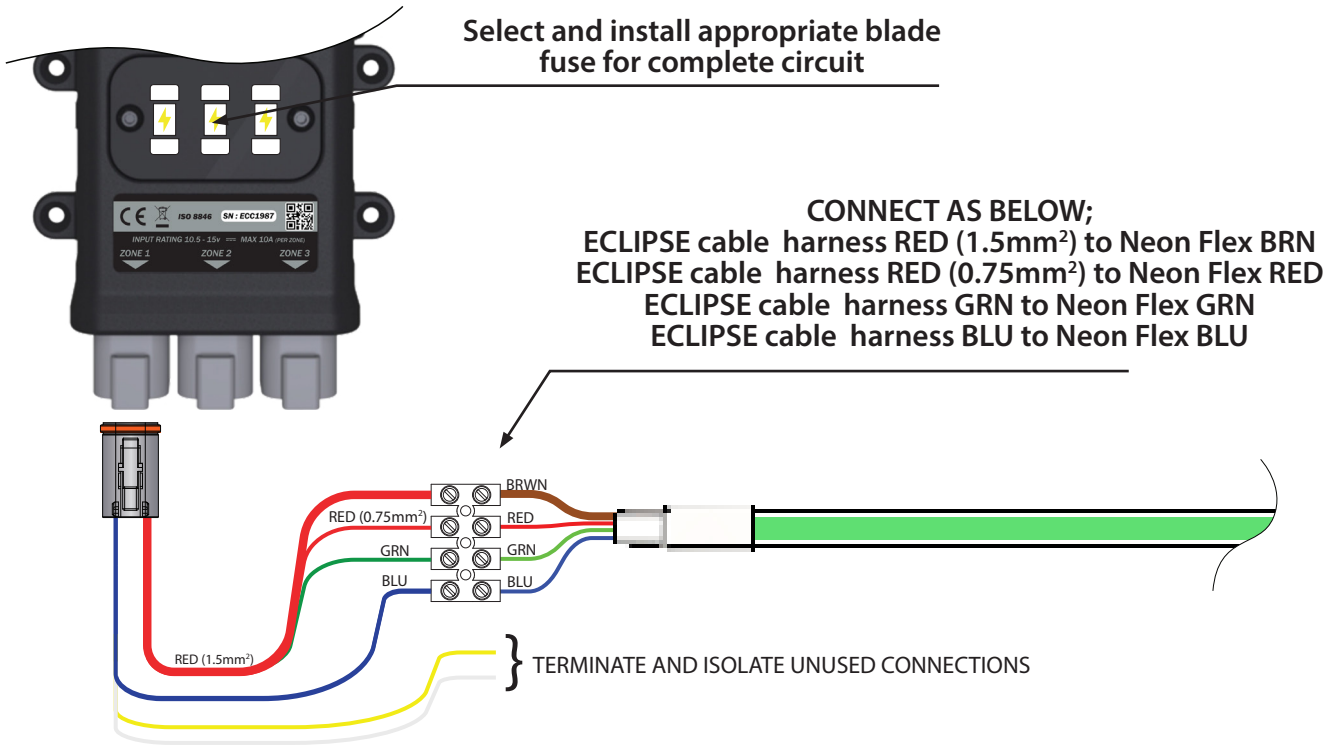


Note : Single color, dual color and RGB lights should not be added to the same zone output. Use a separate zone output for each type.

RGB Neon Flex - ECLIPSE Command Center (max 20m per zone)

Note: For full ECLIPSE Command Center installation and control consult ECLIPSE Command Center installation manual.

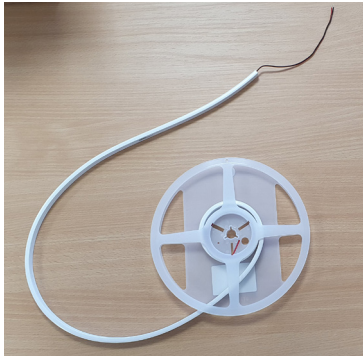
ECLIPSE Command Center



Note : Single color, dual color and RGB lights should not be added to the same zone output. Use a separate zone output for each type.

Cutting to length and sealing

Special care is to be taken when cutting and sealing the ECLIPSE Neon Flex, we recommend that the Neon Flex is "offered up" before cutting to ensure correct length has been marked out and the steps below followed to ensure correct installation. Following the cutting method below will ensure the Neon Flex seals properly.



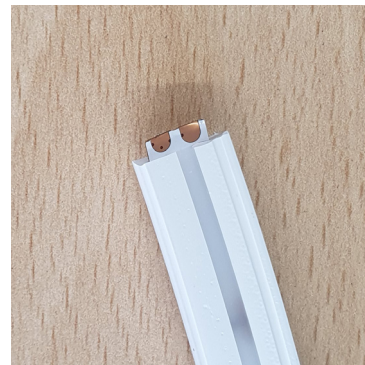
1. Unwind the whole Neon Flex from the reel and allow to relax. Leave for 1 hour



2. 'Offer up' Neon Flex to install location and identify nearest cut point, use a marker pen to mark the point. It is important to only cut on marked cut points.



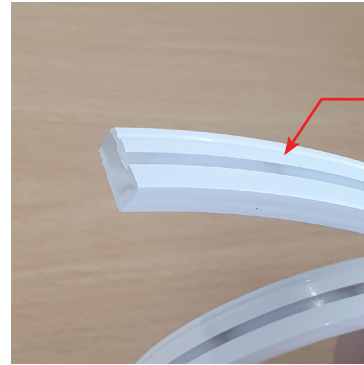
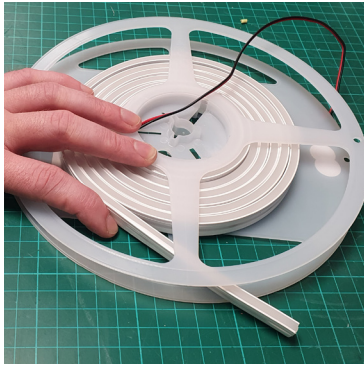
3. Using a pair of scissors cut the Neon Flex to length. Use a single cutting motion in the center of the cut point.



4. Using the supplied sealing kit seal the newly cut ends. It is recommended that the Neon Flex is coiled back up during this process to retract the PCB. (see step 5).



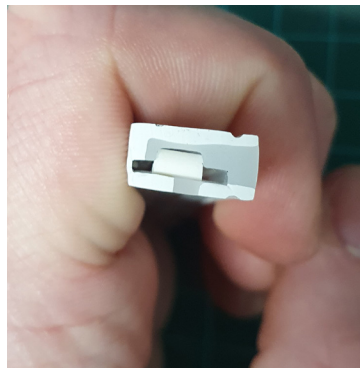
Important! Steps 5 & 6 will prevent the sealant from covering the LED's. Failure to follow these steps could result in LED discoloration



Cut points

5. With the cut points on the outside, coil the Neon Flex back on to the reel so that the PCB is retracted back into the extrusion.

It is important the Neon Flex is coiled up correctly. This ensures the PCB retracts enough for the end cap to be fitted.



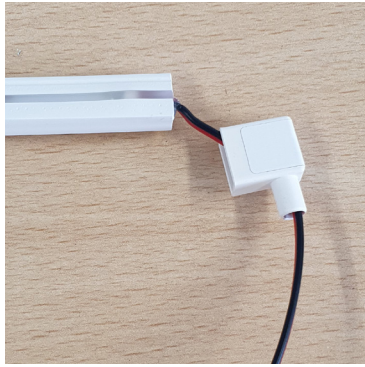
6. Cut a 4mm piece of sponge cord (included) and place inside cavity. Push the cord down until it is flush with the end of the extrusion. The sponge cord prevents the sealant from touching the LED's which may cause color shift.



7. Fill the Blanking End Cap 1/3 of the way up with silicone adhesive (supplied).



8. Fit end cap over extrusion and push until it stops. Excess adhesive should be wiped away using water ONLY. Use a paper towel to dry and allow to cure undisturbed for 24hrs.



9. Cable exit end is to be sealed using the supplied bottom or straight end caps. Care should be taken when feeding the cable through the end cap.



10. Fill the cable exit end cap 1/3 of the way up with silicone adhesive (supplied).

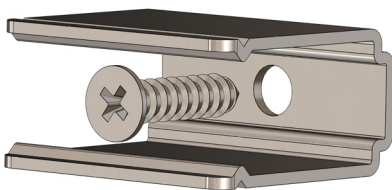


11. Fit end cap over extrusion and push until it stops. Excess adhesive should be wiped away using water ONLY. Use a paper towel to dry and allow to cure undisturbed for 24hrs.

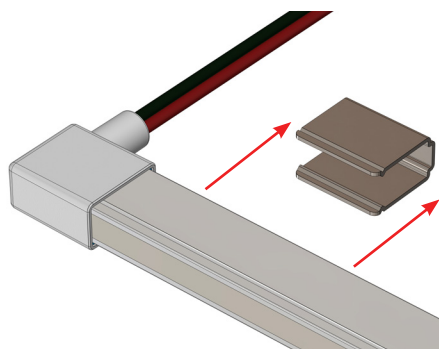
Installation :

The Neon Flex Neon Flex is installed using the supplied stainless steel clips. The clips are screwed in place, ensure that suitable screws are used to allow for full engagement of clip onto the Neon Flex. Once clips are installed the Neon Flex Neon Flex simply pushes in place where a noticeable 'Click' confirms Neon Flex is secure. It is recommended that a clip is used every 300mm and for several clips to be used around tight bends to ensure Neon Flex conforms well and to avoid lifting.

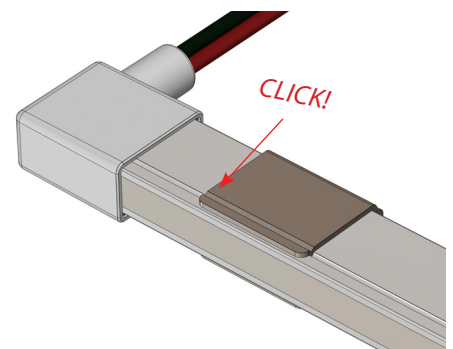
FIX METAL CLIPS USING SUITABLE SCREWS



ALIGN WITH CLIP AND PUSH IN PLACE



ENSURE NEON FLEX IS SEATED PROPERLY



Cleaning and maintenance

- DO NOT use any abrasive cleaning materials as these may damage the body of the light.
- DO NOT use any cleaning fluids that contain solvents, acids or alkali's.
- DO NOT clean using pressure washing or sandblasting equipment

In the event that your light requires cleaning, we recommend the use of a damp soft cloth or soft bristled brush.



Important! DO NOT pressure wash.

Warranty

LUMISHORE Ltd warrants its lighting systems and associated lights and accessories to be free from defects in workmanship for a period of three years, starting from the date of original purchase. Should your lighting system have a problem during this period, please contact your dealer, boat manufacturer or broker as soon as you become aware of the defect.

Misuse, abuse, improper installation, neglect, improper shipping, damage caused by disasters (e.g. fire, flood, storm and lightning), installation by unqualified personnel, unauthorized repair or modification or non-approved installations will void this warranty. For the avoidance of confusion and doubt, non compliance with all installation guidelines, maintenance and operating instructions in this document constitute non conformance with warranty terms.

Full warranty details including exclusions are available at www.Lumishore.com.

