

# eclipse Strip Light SL100 Installation Guide

[60-0487 - Strip Light - Blue](#) | [60-0488 - Strip Light - White](#)

[60-0489 - Strip Light - Blue and White](#) | [60-0568 - Strip Light - RGB](#)

*Please read the following pages before attempting installation.*



Before you start...

- Always ensure that the vessel's power source and battery are disconnected or isolated prior to installation.
- A qualified professional should carry out both the electrical and mechanical installation.
- The ECLIPSE Strip Light is fully sealed and can be installed inside or outside, it can be installed in wet areas but is not designed to be permanently submerged in water.
- Choose a location – the Strip Light is made from UV resistant material but should not be installed in areas of strong direct sunlight.
- The strip has a bend radius of 50mm (1.968in) in the vertical axis, do not bend in the horizontal axis or twist the Strip Light.
- The Strip Light is designed to work with 12V boats ONLY. It can operate between 10-15Volts DC. Do not connect voltages outside of this range or connect directly to AC voltage.

Typical power rating =  $\approx$  5 Watts / Meter (each channel).

Typical current draw = 0.41A @ 12V



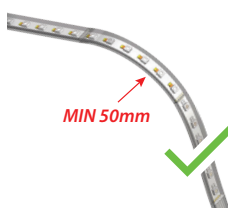
**Important! DO NOT** wire up both Blue and White channels to switch on at the same time.



**Important! RGB Strip Light MUST** be used in conjunction with an ECLIPSE Command Center and optional expansion modules.

## Handling & Manipulating:

**VERTICAL BEND ONLY**



**DO NOT BEND IN HORIZONTAL AXIS**



**DO NOT TWIST**



**DO NOT** allow the strip light to drop or twist during install - uncoil it carefully from the reel

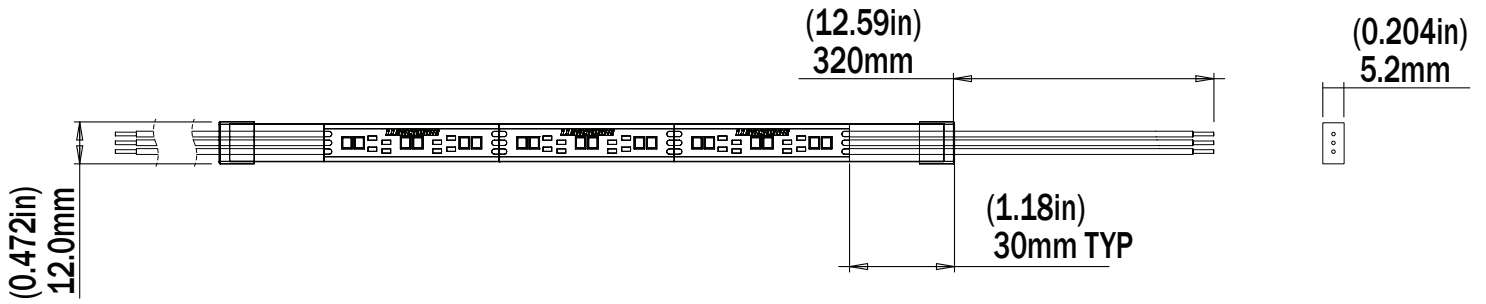
**DO NOT** apply pressure to the strip in the area of the LEDs - press the edge of the strip only

**DO NOT** pull, stretch, twist or bend the strip in the horizontal axis

**ALWAYS** use 2 people to install lengths of over 1m. One person to install, one person to hold and uncoil the strip

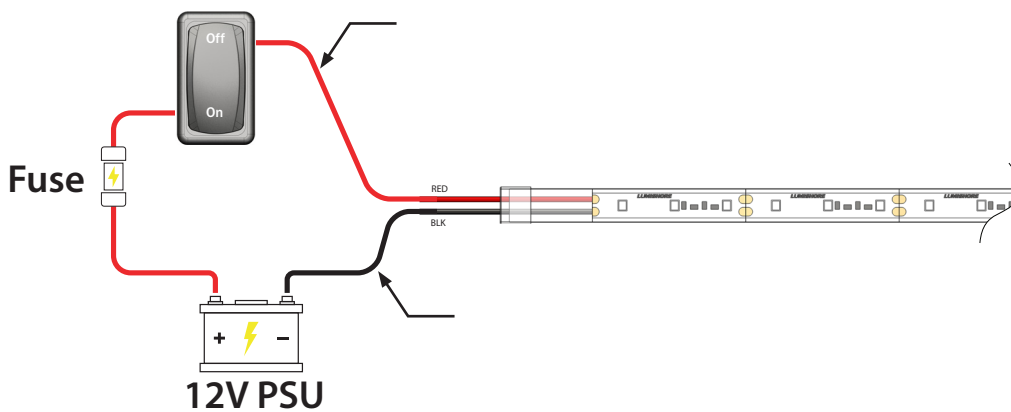
**ALWAYS** lay the strip out flat in a straight line - don't allow the strip to bend, kink, or coil in a heap

**Basic Dimensions:**



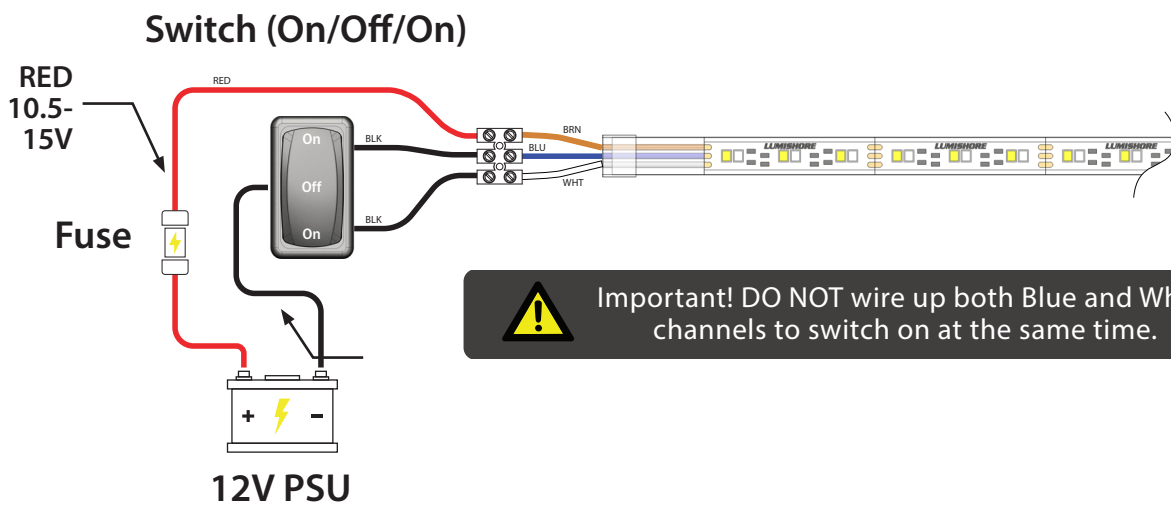
**Installation Diagrams:**

**Single Color Strip - Switch Connection**  
**Switch (On/Off)**



**Dual Color Strip - Switch Connection**

*Note: Switch connects to negative wires of strip light.*



**RGB Color Strip - Switch Connection**

*Note: DO NOT wire directly to switch. An ECLIPSE Command Center and optional expansion modules must be used.*

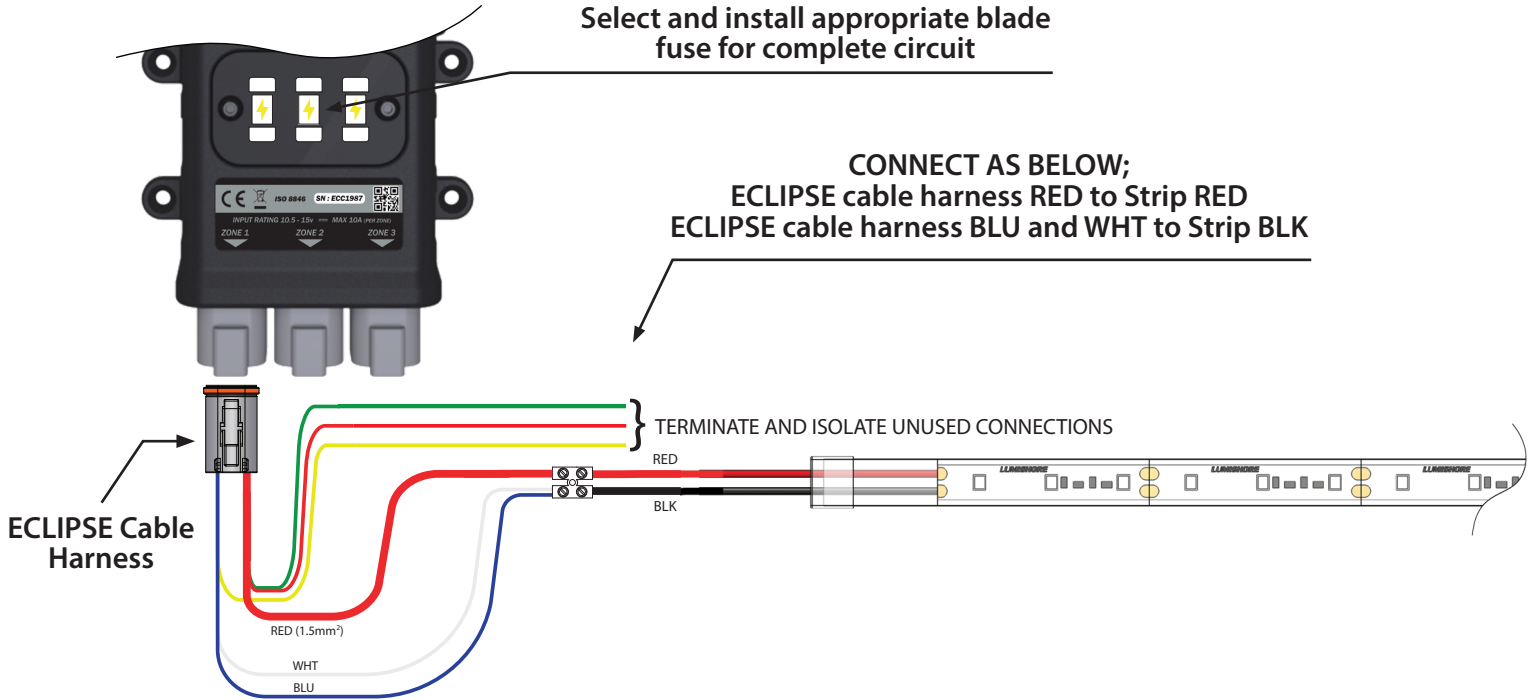
**Single Color Strip - ECLIPSE Command Center (max 20m per zone)**

*Note: For full ECLIPSE Command Center installation and control consult ECLIPSE Command Center installation manual.*

**ECLIPSE Command Center**

Select and install appropriate blade fuse for complete circuit

CONNECT AS BELOW;  
ECLIPSE cable harness RED to Strip RED  
ECLIPSE cable harness BLU and WHT to Strip BLK



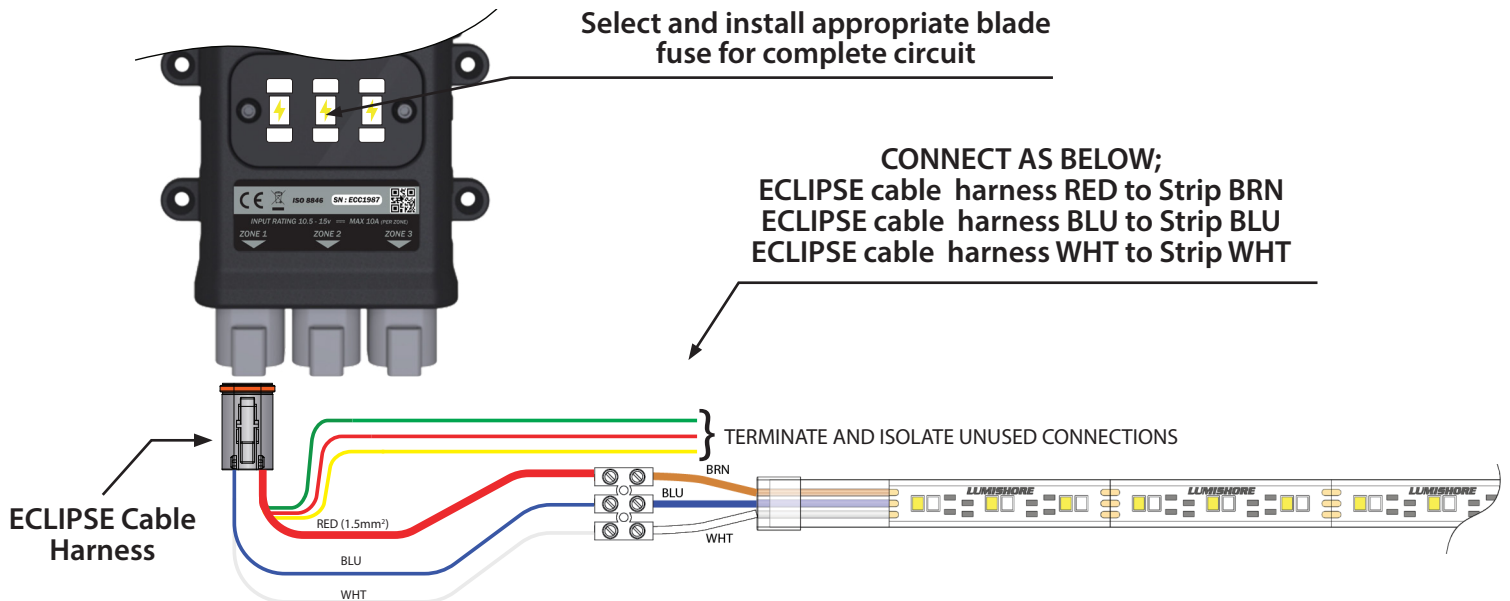
**Dual Color Strip - ECLIPSE Command Center (max 20m per zone)**

*Note: For full ECLIPSE Command Center control consult ECLIPSE Command Center installation manual.*

**ECLIPSE Command Center**

Select and install appropriate blade fuse for complete circuit

CONNECT AS BELOW;  
ECLIPSE cable harness RED to Strip BRN  
ECLIPSE cable harness BLU to Strip BLU  
ECLIPSE cable harness WHT to Strip WHT

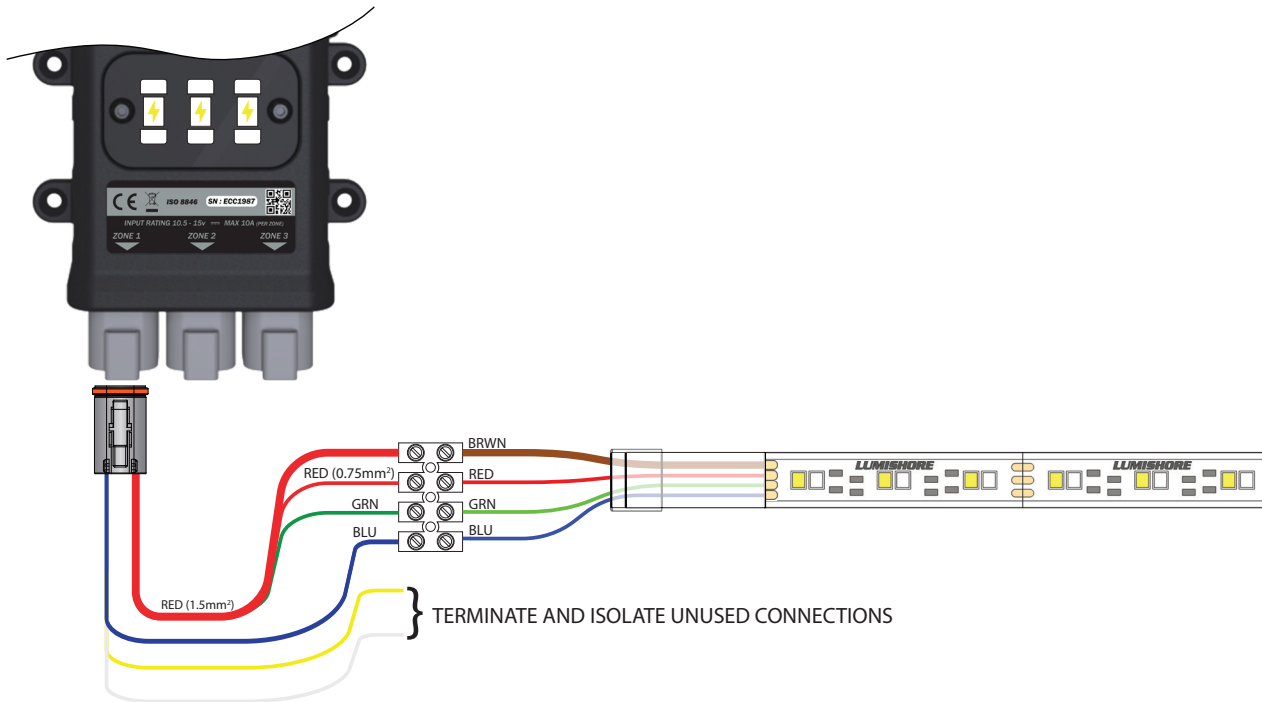


*Note: Single color, dual color and RGB lights should not be added to the same zone output. Use a separate zone output for each type.*

**RGB Strip - ECLIPSE Command Center (max 20m per zone)**

*Note: For full ECLIPSE Command Center installation and control consult ECLIPSE Command Center installation manual.*

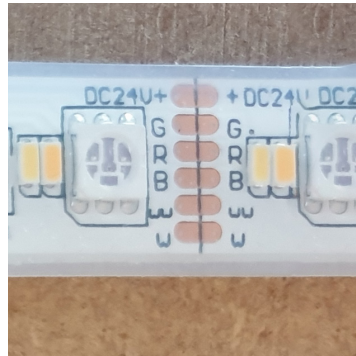
**ECLIPSE Command Center**



*Note : Single color, dual color and RGB lights should not be added to the same zone output. Use a separate zone output for each type.*

### Cutting to length

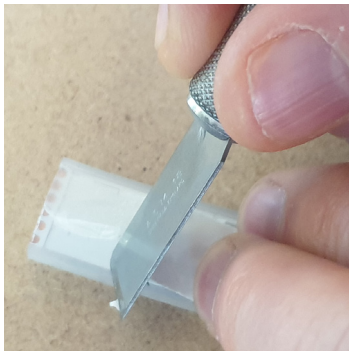
Unreel the strip light onto a flat surface and identify correct end to be cut. Measure and mark out the required length to cut. If installing around curved areas or corners we recommend that the strip light is “offered up” before cutting to ensure correct length has been marked out.



1. Locate the closest cut point to the length required.
2. Only cut on marked cut points.
3. Using a pair of scissors cut the strip light to length. Use a single cutting motion in the center of the cut pads.

### End prep and sealing

It is important that the adhesive backing is properly removed from the end required to be sealed, skipping this step may compromise the watertight properties of the assembly and risk voiding warranty.



1. At the end to be sealed, peel back 20mm of the adhesive backing and **very lightly** score the adhesive 10mm from the end using a sharp blade.
2. Remove the adhesive tape from the score line to expose silicone underneath.

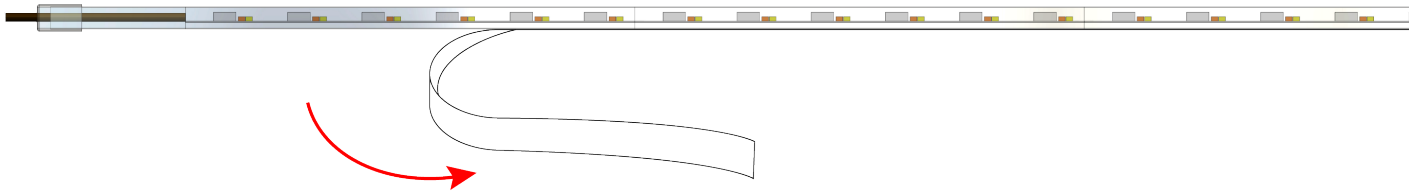


5. Half fill the end cap with silicone adhesive (supplied)
6. Fit end cap, clean up any excess adhesive. Allow to cure for 24hrs before handling. Do not use chemical cleaners

**Mechanical Installation - 3M Adhesive Strip**

Thoroughly clean the mounting surface using IPA, ensure it is dust and dirt free.

Peel back the 3M adhesive backing layer and firmly press strip light in place. Press the edges ONLY. Do not apply pressure to the LEDs. Allow the adhesive to set for 24 hours before switching the strip light on.



**Outdoor Installation - Mounting Fasteners**

For outdoor installation, wet areas or tight bend radii: it is recommended that mechanical fasteners are used in addition to the adhesive layer.

*FASTENING CLIP*



Using suitable screws the fasteners should be placed every 250 - 300mm (9.842 - 11.811 in) apart and/or at either side of the bend. For best results do not position in line with LED's.

**300mm (11.811 in)**



**Mounting Clips (Optional)**

For narrow mounting channels Lumishore can supply Stainless Steel metal clips. These are attached using a countersink screw. Gently prize open the metal clip and insert the strip light. Once in place gently squeeze the clip together over the strip light.

*CTSK SCREW WITH METAL CLIP*



*PRIZE OPEN TO INSERT STRIP*



*SQUEEZE TOGETHER WITH STRIP IN PLACE*



## Cleaning and maintenance

- DO NOT use any abrasive cleaning materials as these may damage the body of the light.
- DO NOT use any cleaning fluids that contain solvents, acids or alkali's.
- DO NOT clean using pressure washing or sandblasting equipment

In the event that your light requires cleaning, we recommend the use of a damp soft cloth or soft bristled brush.



Important! DO NOT pressure wash.

## Warranty

LUMISHORE Ltd warrants its lighting systems and associated lights and accessories to be free from defects in workmanship for a period of three years, starting from the date of original purchase. Should your lighting system have a problem during this period, please contact your dealer, boat manufacturer or broker as soon as you become aware of the defect.

Misuse, abuse, improper installation, neglect, improper shipping, damage caused by disasters (e.g. fire, flood, storm and lightning), installation by unqualified personnel, unauthorized repair or modification or non-approved installations will void this warranty. For the avoidance of confusion and doubt, non compliance with all installation guidelines, maintenance and operating instructions in this document constitute non conformance with warranty terms.

Full warranty details including exclusions are available at [www.Lumishore.com](http://www.Lumishore.com).

