

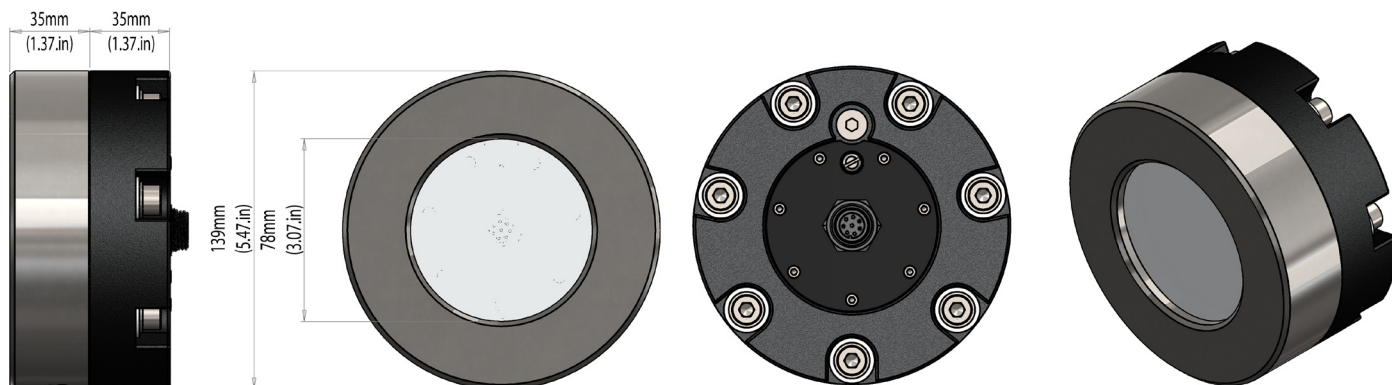
ORA SY Series - Single Color

SY220

SY WELD-IN UNDERWATER LED LIGHT

| | |
|-------------------------|--|
| Available Colors | White, Blue, or Warm White |
| Lumens | 22,500 |
| Fixture Lumens (White) | 10,000 |
| Number & Type Of LED | White - 36 x 10W, or Blue / Warm White - 48 x 3W |
| LED Power - HICOB Array | Yes |
| Typical LED Life | 50,000+ Hours |
| Warranty | 3 Years* |

* Subject to commissioning review



ORA SY Series - Single Color

SY220

SY WELD-IN UNDERWATER LED LIGHT



TECHNICAL

| | |
|-------------------------------------|--|
| Driver | External Driver |
| Supply Voltage Range | Integrated AC Driver (90-240V AC) |
| Max Current Draw (AC) | 1.2 A |
| Surge Protection | Yes (3,000V) |
| ATRB (Automatic Thermal Roll-Back) | Yes |
| Low Voltage Protection | Automatic Voltage Roll-Back Control, and Low Voltage Cut-Out |
| Auto Power Control | Yes - Intelligent Multi-Channel Power Mgmt |
| “Soft Start” Electronics Protection | Yes |
| Reverse Polarity Protection | Yes |
| In Rush Current Protection | Yes |
| Power Line Noise Suppression | Yes |

PHYSICAL

| | |
|---------------------------------|--|
| Beam Angle | 60°/110° |
| Water Ingress Protection Rating | IP68 |
| Flange Diameter | 139mm (5.47") |
| Flange Angle Options (Degrees) | 0° (Flush), 10°, 20°, 30°, 40°, 50° |
| Flange Material Options | Aluminum (5083L), Stainless Steel (316L) |
| Light Cable Length | 1m to 10m (Specified at point of order) |
| Light Weight | 1.4 Kg |
| Vessel Length | Up to 50m |
| Installation Locations | Transom, Side, Bulbous Bow, Water Tank |

LIGHTING SYSTEM FUNCTIONALITY

| | |
|--------|----------------|
| On/Off | Yes |
| Strobe | Yes (Optional) |
| Fade | Yes (Optional) |

| WEIGHTS | 0 DEG | 10 DEG | 20 DEG | 30 DEG | 40 DEG | 50 DEG |
|---------|--------|--------|--------|--------|--------|--------|
| 316 SS | 2.4 KG | 3.4 KG | 4.4 KG | 5.5 KG | 6.9KG | 8.8 KG |
| 5083 L | 0.8 KG | 1.1 KG | 1.5 KG | 1.9 KG | 2.3 KG | 3.0 KG |

FLANGE ANGLES AND DIMENSIONS

