



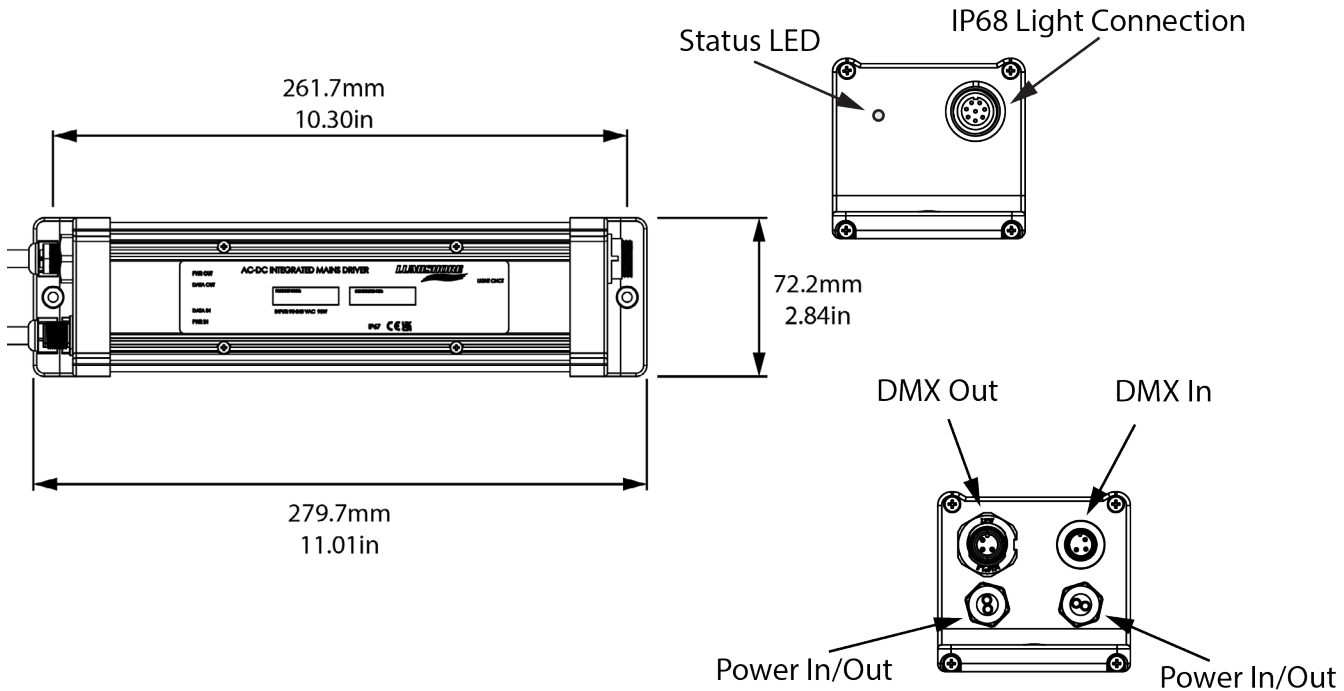
**EOS SY Series Integrated AC DMX Driver
SY225**

SY WELD-IN UNDERWATER LED LIGHT DRIVER



Available Colors	Full EOS Colour Change (RGBW)
For Use With	SY 225 Series Lights
Warranty	3 Years*
User Control Options	Lumishore Controller (2203i or 2204i) DMX Controller (3rd Party)

*Subject to commissioning review



EOS SY Series Integrated AC DMX Driver SY225

SY WELD-IN UNDERWATER LED LIGHT DRIVER



TECHNICAL

Driver	External Driver
Supply Voltage Range	90-240V AC
Max Current Draw (AC)	SY225 - 1.3A
Heat Dissipation	SY225 - 14W
Surge Protection	Yes (3,000V)
ATRB(AutomaticThermalRoll-Back)	Yes
Low Voltage Protection	AutomaticVoltageRoll-BackControl,andLow Voltage Cut-Out
Auto Power Control	Yes – Intelligent Multi-Channel Power Mgmt
“Soft Start” Electronics Protection	Yes
Reverse Polarity Protection	Yes
In Rush Current Protection	Yes
Power Line Noise Suppression	Yes
Communication Protocol	Lumi-DMX (DMX-512)
No. of DMX Addresses per Driver	5

PHYSICAL

Ingress Protection	IP 67
Weight	1.6Kg
Size - not including connectors (LxWxH)	279.7 x 72.2 x 67.1mm
Maxcablelengthfromdrivertolight	Up to 13m total

LIGHTING SYSTEM FUNCTIONALITY

Manufacturer Preset Colors	Yes
Lights Synchronized (All Lights, All Colors, All Models)	Yes
Color Cycle	Yes
Cycle Speed Adjust	Yes
Color Sweep	Yes
Color Sweep Speed Adjust	Yes
Customizable Favorites	Yes
Fixed Strobe (Any Color)	Yes
Random Strobe Mode (Any Color)	Yes
Customizable Strobe Mode	Yes
Programmable Scenes	Yes
Wi-Fi Control	Yes
External DMX/RDMX	Yes
Individually Addressable Lights	Yes
Sound-To-Light	Yes
Groups	Yes
Automatic Light Discovery and Setup	Yes
Light Brightness Adjustment	Yes
Diagnostic Function	Yes

PART NUMBERS

SY225 Integrated AC EOS Driver	39-0323
--------------------------------	---------