



SY Series

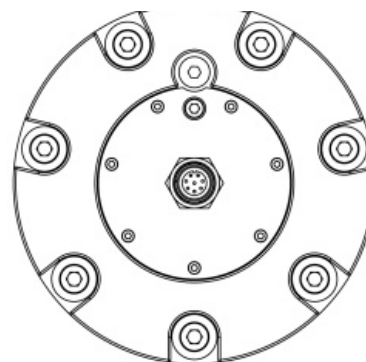
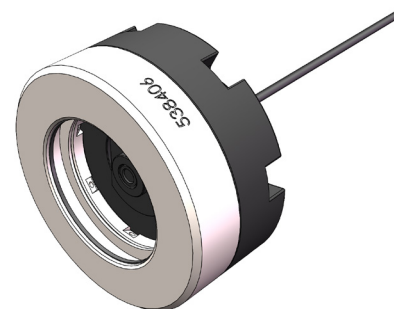
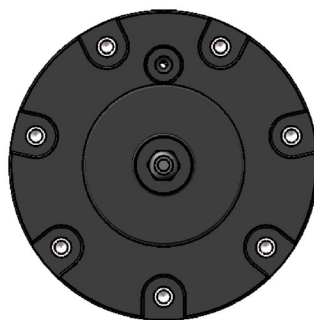
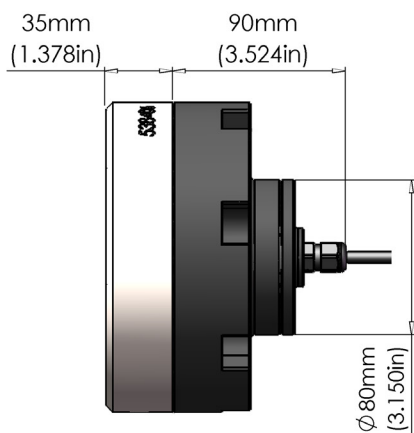
SY EYE IP HD

SY WELD-IN UNDERWATER IP HD CAMERA

Part Number	60-0428 (0 to 30 Deg Flange) 60-0249 (40 & 50 Deg Flange)
Resolution	Full HD (1080p)
IP Output Protocol	H264 (Default) or H265
Lens Focal Length	4 mm*
Field of View	H 67 / D 78 / V 50 deg
Power Requirement	POE (Power Over Ethernet) or External 12 / 24 V DC Supply
Warranty	3 Years*

*Subject to commissioning review

NOTE: CABLES NOT SHOWN



SY Series

SY EYE IP HD

SY WELD-IN UNDERWATER IP HD CAMERA



TECHNICAL	
Resolution	Full HD (1080p)
Power Requirement	POE (Power Over Ethernet) Or External 12 / 24V DC Supply
Max Power	3W
Lens Focal Length	4mm*
Field of View	H 67 / D 78 / V 50 deg
Sensor Type	Sony CMOS 1/4"
IP Output Protocol	H264 (Default) / H265
Output Connections	IP 68 Ethernet Connector
ONVIF Compatible	Yes

PHYSICAL	
Water Ingress Protection Rating	IP68
Flange Diameter	160mm (6.3")
Flange Angle Options (Degrees)	0° (Flush), 10°, 20°, 30°, (Contact Lumishore for 40°, 50° options)
Flange Material Options	Aluminum (5083L), Stainless Steel (316L)
Camera Weight	2.2 Kg
Vessel Length	25m and above
Installation Locations	Transom, Side, Bulbous Bow, Water Tank

WEIGHTS	0 DEG	10 DEG	20 DEG	30 DEG	40 DEG	50 DEG
316 SS	2.9 KG	4.1 KG	5.4 KG	6.9 KG	8.8KG	11.3 KG
5083 L	1.0 KG	1.4 KG	1.8 KG	2.4 KG	3.0 KG	3.8 KG

FLANGE ANGLES AND DIMENSIONS

