



**SUPRA Series - SMX**

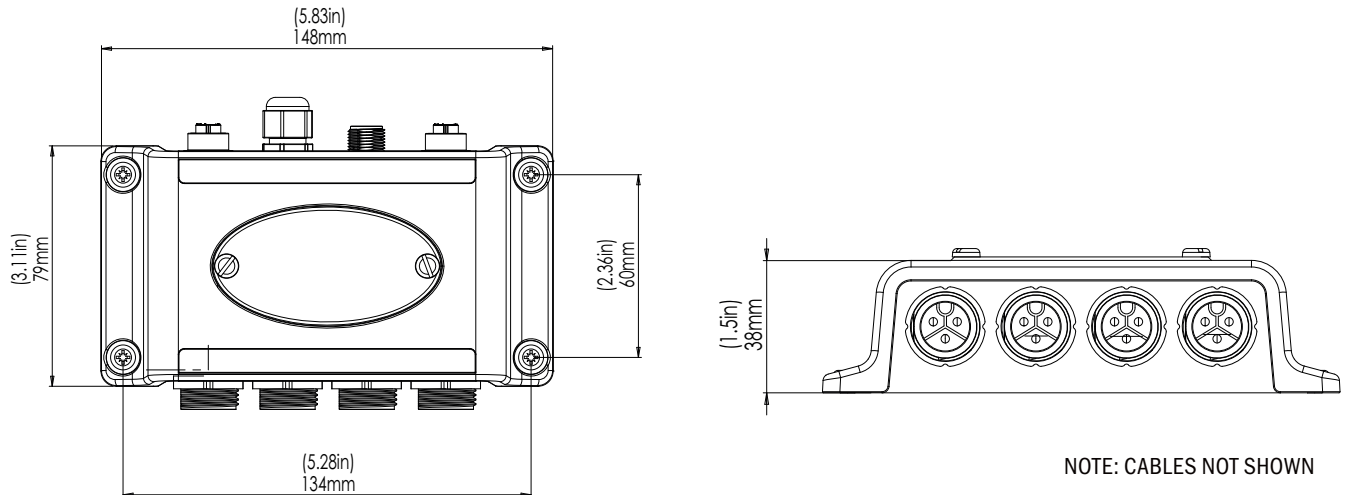
# i-Connect Installation Kit

JUNCTION BOX FOR SUPRA SERIES SMX LIGHTS



PART DESCRIPTION	SUPRA I-CONNECT INSTALLATION KIT
Part Number	60-0402
For Use With	SMX54 Underwater Lights
Max Number of Lights Per Hub	4
Max Number of Hubs Per Installation	Up to 4 (SMX)
Ingress Protection Rating	IP68
Features	Full control via certified MFD or EOS-LUX-SUPRA Display Specially Designed for Ease of Installation Plug and Play Connections IP68 Field Installable Connecters (supplied) Built in Switching Power Relay Replaceable Blade Fuse For Each Light Status Indication LED for Each Light Built In Noise Filter
Warranty	3 Years
User Control Options	SUPRA i-Connect Hub Switch (included) Certified MFD Screen* EOS-LUX-SUPRA Display WiFi control from Smart phone or Connected Device (via MFD or local WiFi Network)*

\* Requires SUPRA Bridge Module



**SUPRA Series - SMX**

# i-Connect Hub

JUNCTION BOX FOR SUPRA SERIES SMX LIGHTS



**TECHNICAL**

Number of Lights per Hub	4
Max Number of Hubs per Installation (Surface Mount)	4 Hubs (16 Lights)
Connections	SMX - Field Installable Connector (supplied with Hub)
Fuses	Replaceable Blade Fuses. Each Light Individually Fused
Status Indication LEDs	Yes - for Each Light
Voltage Range	10.5 - 31V DC
Max Input Current	40 A
Max Output Current (i.e. Max Current Per Light)	10 A
Cable Entry / Exit	IP68 Connections
Switching Method	Built-in Relay
Noise Suppression	Built-in Noise Filter
Reverse Polarity Protection	Yes
Lumi-Link Compatible	Yes

**PHYSICAL**

Ingress Protection	IP 68
Size - Not Including Cable Glands (LxWxH)	148 mm x 79 mm x 38 mm (5.83" x 3.11" x 1.50")
Box Construction	Robust Weatherproof ABS

**SUPRA I-CONNECT HUB & SWITCH FUNCTIONALITY**

Mode	Toggle switch to move to the next mode
White	Yes
Blue	Yes
Strobe	Yes
Synchronized Strobe	Yes
Fade Mode	Yes
Synchronized Fade Mode	Yes
Light Control via MFD Screen or EOS-LUX-SUPRA Display	Yes*

\*These features require a SUPRA Bridge Module and compatible MFD. This allows easy integration and control direct from MFDs, and other third party control systems.

**I-CONNECT HUB ACCESSORIES      PART NUMBER**

Additional i-Connect Hub	60-0317
3m Light Extension Cable	60-0401
SUPRA Bridge Module	60-0368
DMX Link Cable - 0.2m	60-0465
DMX Extension Cable - 1m	60-0403
DMX Extension Cable - 5m	60-0404
DMX Extension Cable - 15m	60-0405