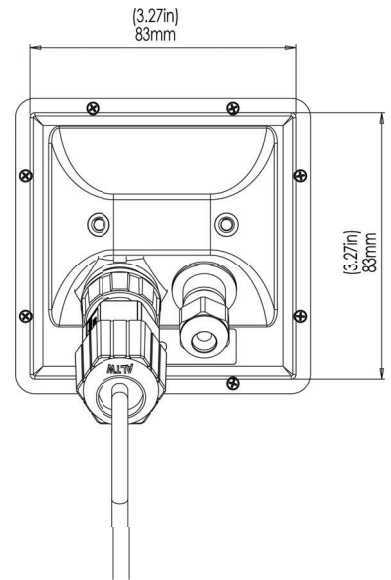
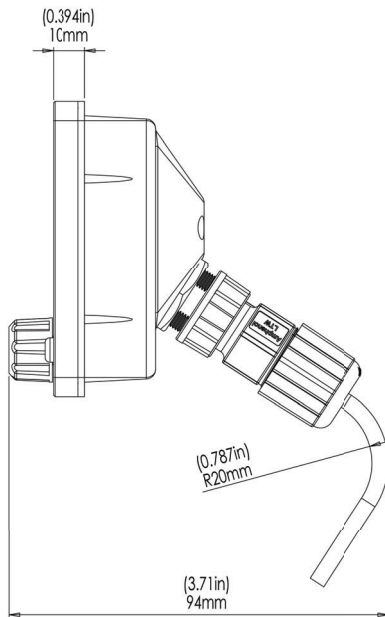
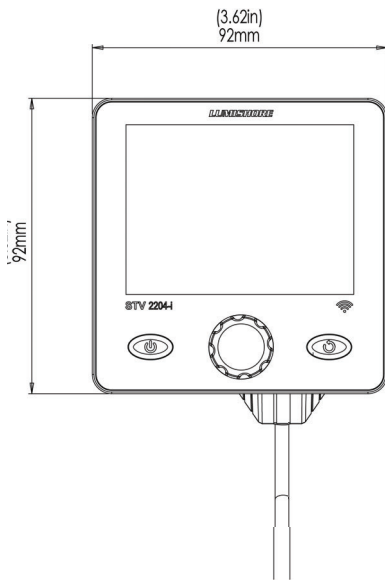




EOS-LUX-SUPRA Display

DASH MOUNT FULL COLOR CHANGE CONTROLLER

PART DESCRIPTION	FULL COLOR CHANGE CONTROLLER
Part Number	60-0369
Works With	EOS-LUX Command Center Supra Bridge Module (All Compatible Lumishore LUX, EOS and Supra lighting Products)
Warranty	3 Years
Key Functions	Easy Control of your lights Interior or Exterior Mounting Full Color 3.5" LCD Touch Screen & Rotary Dial Control Add more Displays for control from multiple locations Specially Designed for Ease of Installation Plug and Play Connections



EOS-LUX-SUPRA Display

DASH MOUNT FULL COLOR CONTROLLER



TECHNICAL	
Number of nodes per Command Center (Max)	85+ Nodes (1000+ Lights)
Screen Type	Full Color 3.5" LCD Touchscreen
Supply Voltage Range	10.5 - 31 V DC
Max Current Draw 12/24V	0.3 A / 0.15 A
Surge Protection	Yes (3000V)
Low Voltage Protection	Low / High Voltage Cut Out
In Rush Current Protection	Yes
Power Line Noise Suppression	Yes
Bonding	Not Required
Reverse Polarity Protection	Yes
Load Dump Protection	Yes
ISO 8846 (Ignition Protection)	Yes

+ Please contact Lumishore for advice on how to control more than 85 nodes in the same system

PHYSICAL	
Water Ingress Protection Rating	IP68
Sun cover	Provided
Housing Type	Glass Bridge Style Front with Polymer Molded Recessed Back
Hole Cut-Out for Controller	83mm (3.27") x 83mm (3.27")
Weight	240 g (8.4 Oz)
Installation	Panel Mount - Bracket Provided

ACCESSORIES	PART NUMBER
EOS-LUX Command Center	60-0366
Supra Bridge	60-0368



GARMIN **Raymarine** **SIMRAD** **B&G** **FURUNO**