

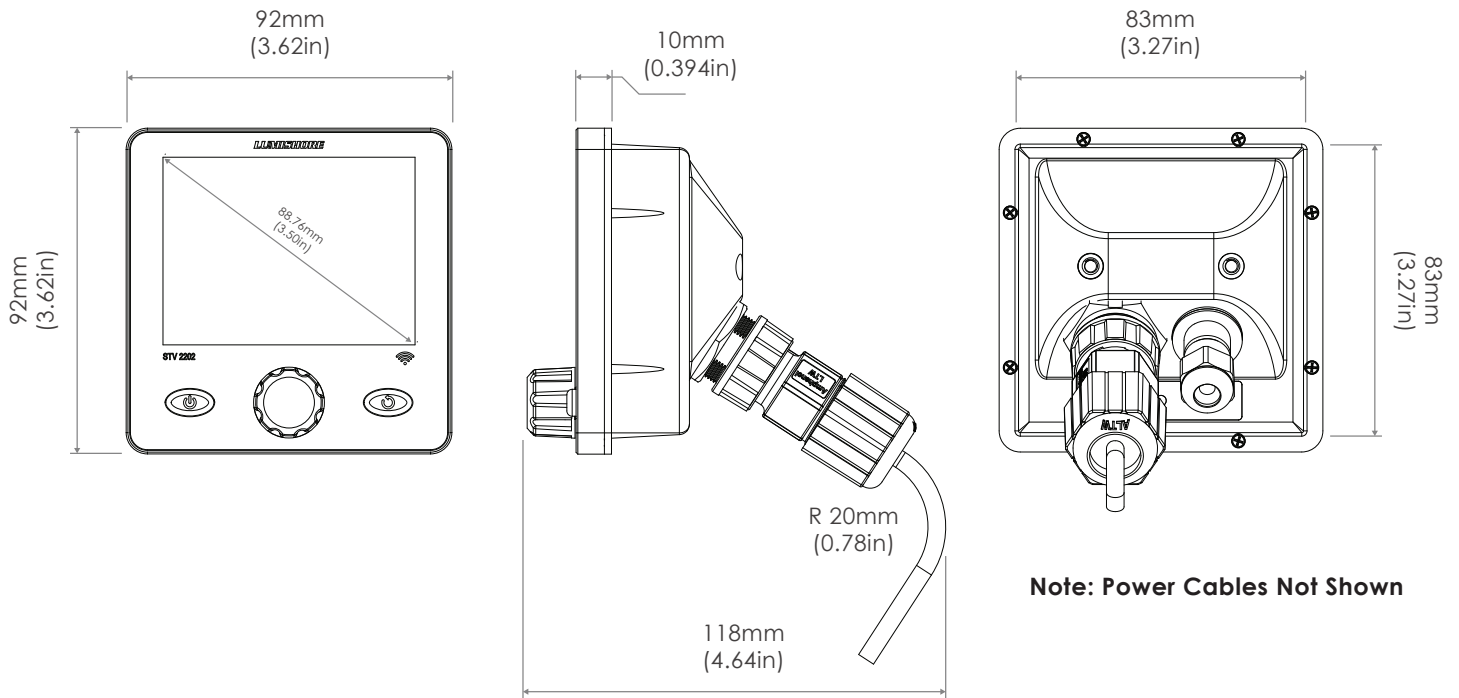
EOS-LUX SUPRA Display 2204-i Installation & Operating Guide

The intuitive EOS-LUX SUPRA Display 2204-i is a dedicated glass-bridge touch screen and rotary dial display, which allows the vessel owner to achieve unrivalled levels of color options and lighting modes over the full color spectrum. The EOS-LUX SUPRA Display features a simple to use palette wheel for color selection, horizontal slide bar for quick adjustments to lighting intensity, control of lighting across multiple zones with optional presets, and the ability to choose from pre-programmed effect modes like strobe, sweep or cycle and the unique 'Sound-to-Light', which makes for the ultimate party accessory.

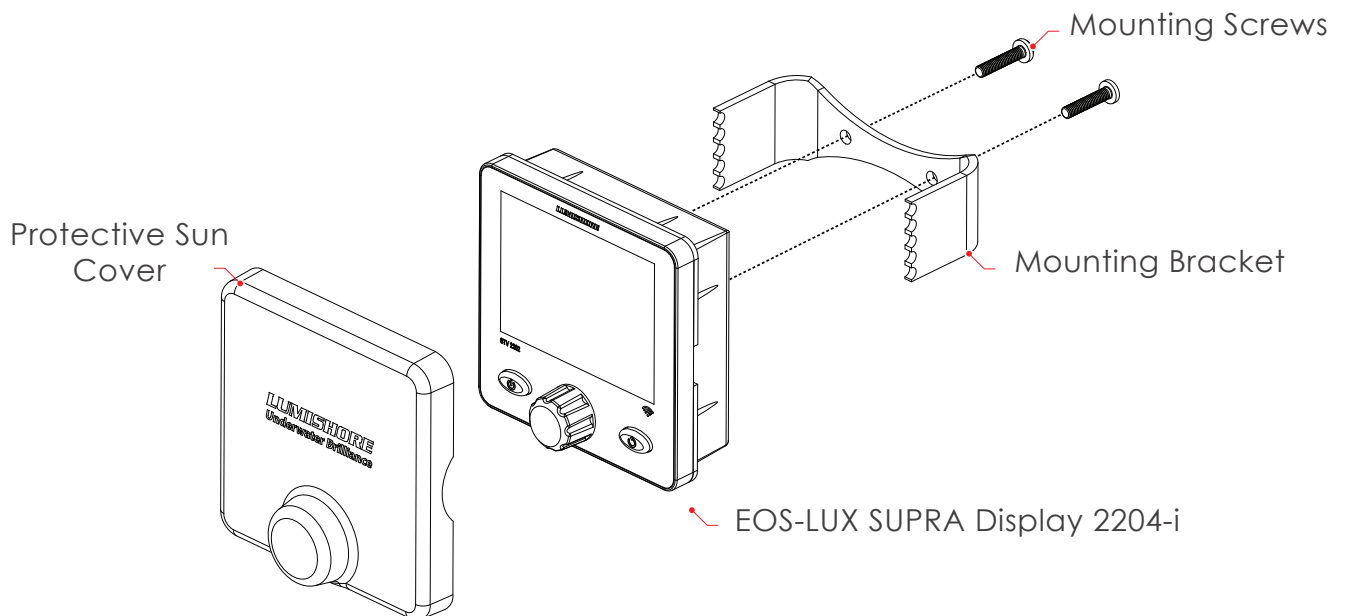
With inbuilt Wi-Fi, the lights can be activated and controlled via Apple IOS, Android, or any other device with a web browser.



STV 2204-i Basic Dimensions



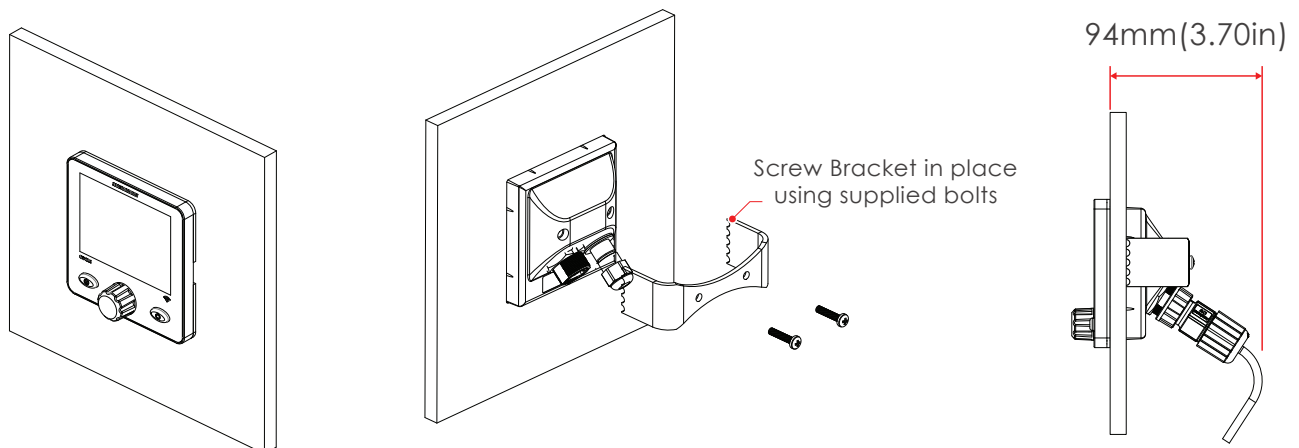
EOS-LUX SUPRA Display Components



STV 2204-i Mechanical Installation

The EOS-LUX SUPRA Display has been designed to be mounted inside or outside within the cockpit or dash board of the vessel.

For external installations or where water may access the unit it is recommended that an appropriate Marine sealant is used between the back of the controller and the surface.

**Installation Considerations:**

- Select a suitable flat surface that is accessible from behind.
- Ensure there are no obstructions and there is adequate clearance behind the surface to allow for the EOS-LUX SUPRA Display cable entry and positioning. (Ensure the chosen position also has easy cable routing to the EOS-LUX Command Center or MFD Network expansion port)

Installation Procedure:

1. Cut the hole to the correct size (83mm x 83mm), and ensure there is enough clearance behind the mounting panel for the controller to fit into, and enough room behind to connect the cables and fit the bracket.

NB: Extreme care should be taken to cut the hole to the correct size. Always cut a smaller hole than necessary and file outwards until it is the correct size.

2. Feed the EOS-LUX SUPRA Display through the hole and then using the bracket provided lock in place. Using the screws supplied screw the bracket to secure controller in place. **Do not exceed 1Nm torque force on each screw.**

NOTE : The EOS-LUX SUPRA Display is designed to fit panels between 2mm to 25mm in thickness

Cable Connections

- The EOS-LUX SUPRA Display is for 12/24volt DC operation.

Under no circumstances should the Controller be connected directly to Mains AC voltage.

- Always use a suitable fuse or circuit breaker to protect the complete system.

Connecting the RJ45 Ethernet Cable:

The EOS-LUX SUPRA Display can be connected directly to a EOS-LUX Command Center or connect to a the vessels MFD network . See wiring diagrams on following pages.

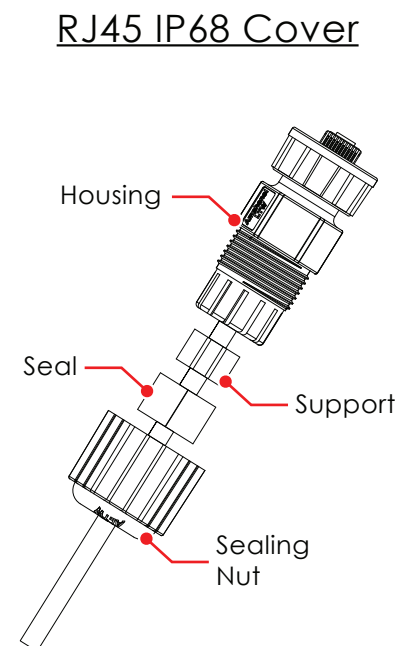
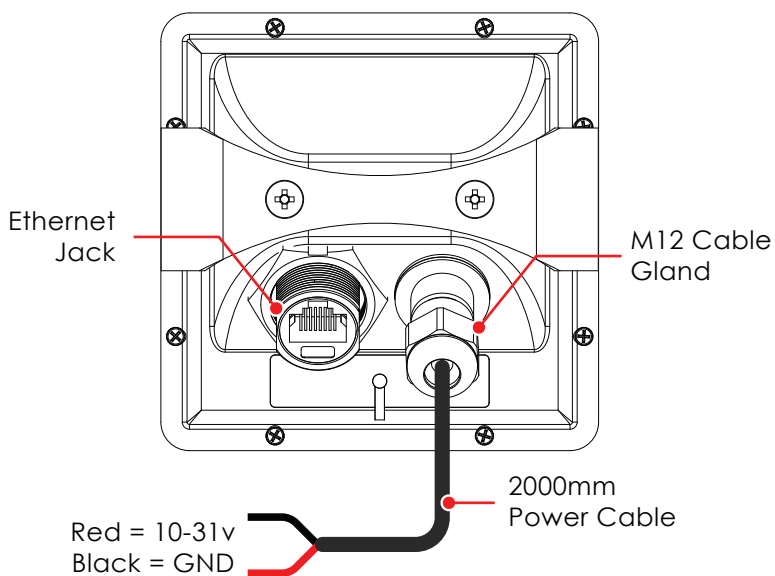
Using a **Shielded** Ethernet cable (min Cat5e) plug one side into the back of the EOS-LUX SUPRA Display and the other side into the EOS-LUX Command Center or MFD network.

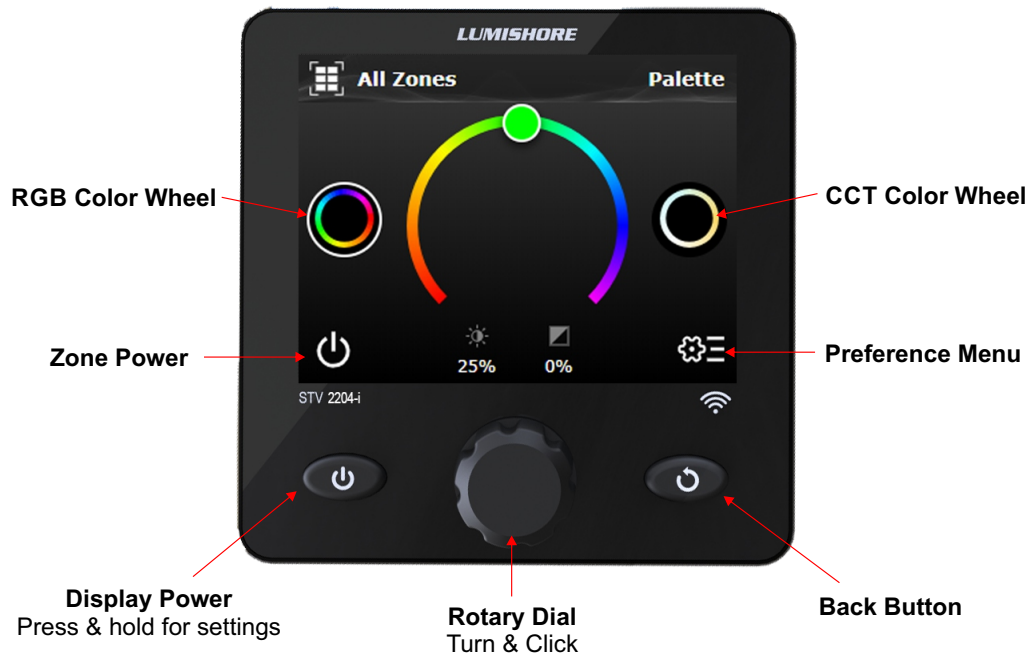
The supplied RJ45 IP68 cover should be used to make all connections waterproof.

Power Cable Key:

Power to the controller is fed via the Red and Black wires. Care should be taken to ensure the correct voltage and polarity

- Red V+ (10 - 30V DC)
- Black V- (Ground)
- Max Current Draw @ 12V = 300mA





The EOS-LUX SUPRA Display is very easy to use, It is a touch screen device but can also be used with the rotary dial. Use the rotary dial to move the cursor around the screen, pressing the rotary dial will select the icon/slider bar or text that is highlighted.

- **Power/Standby Button** – Press once to turn the Display ON. Note: The lights will not turn on until a mode is selected. Press again to turn OFF (Standby mode) - Lights will stay on unless the zone has been switched off.

NOTE : When Power is first applied the display may take a few minutes to find and display control pages

- **Back button** – press the back button to return to the previous mode or page. Press and hold the back button for 3 seconds to refresh the screen. Press and hold for >10seconds to reboot the device.
- **Rotary Dial** – Use the rotary dial to scroll through the icons, the cursor position will be shown by an outer glow around the icon. Push the centre of the Rotary dial to select an Icon or slider.
- **Power Button PRESS AND HOLD** – press and hold for more than 3 seconds to enter settings page.



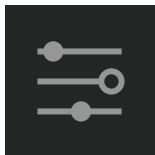
A Suncover is provided to protect the controller from harmful UV rays from the Sun and general weathering and also protects the device from accidental operation. Always ensure the Suncover is in place when the controller is not in use.

NOTE : When in standby mode, power to the system will still be active until power is disconnected using a master switch or circuit breaker.

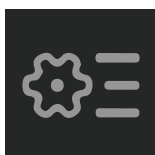
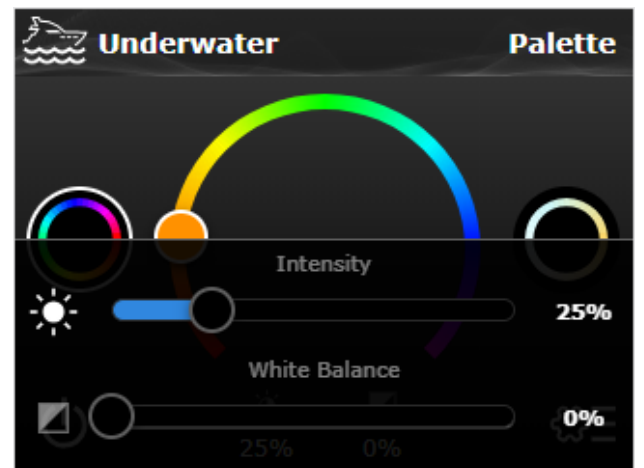


Select the Zone power icon to expand the function menu.

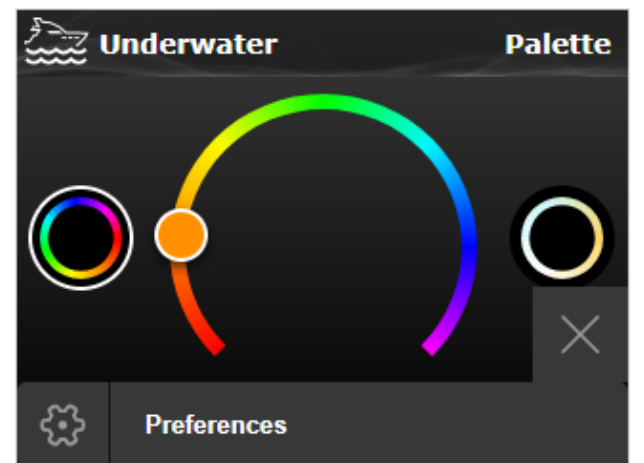
Choose from Zone On/Off, Color palette, preset and favourites color cycle, strobe mode, sweep mode or sound to light.



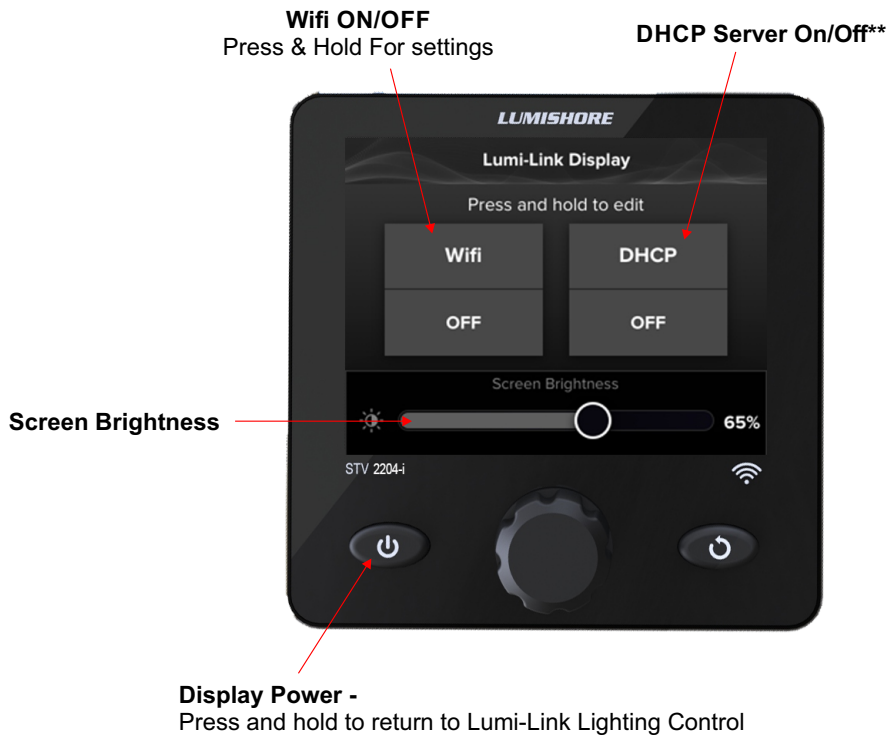
Select the middle icons to display the slider controls. The slider functions change depending on what screen is being displayed. Intensity, speed, white balance etc.



Select the Preferences icon to enter setup modes. Use this for initial setup, light discovery, about screen, zone and scene editing and password protection.



Power Button - Press and Hold (3 Seconds) for Display Settings, Press and hold (3 Seconds) again to return to Lighting Control page.



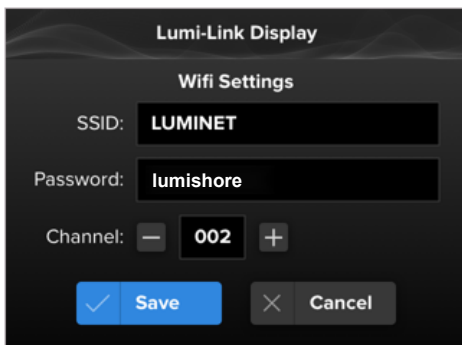
****DHCP Settings** - There should only be one DHCP server on a network. Only switch the DHCP server on if the EOS-LUX SUPRA Display is connected directly to the EOS-LUX Command Center.

If the EOS-LUX SUPRA Display is connected to an MFD network or vessels onboard Newtork router then the DHCP server should be switched off at all times.

Check the Wi-Fi and DHCP settings before connecting to the EOS-LUX Command Center or MFD Network

Inbuilt Wi-Fi Settings for direct connection to EOS-LUX Command Center

When connected directly to the EOS-LUX Command Center turn the Wi-Fi and DHCP settings on. Press and hold the Wi-Fi tab to edit the Wi-Fi settings...



Change SSID (Wi-Fi name displayed) and choose a suitable password for the network;

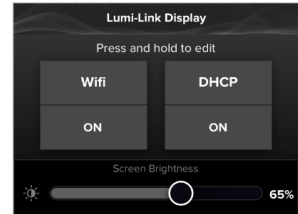
Default Password: lumishore

If the Wi-Fi signal is intermittent it may be a very busy channel, other equipment onboard could be using the same channel. Try changing the Wi-Fi channel to improve signal strength.

Direct Connection to EOS-LUX Command Center



Settings Page - check before connecting device



Wi-Fi = ON
DHCP = ON

use inbuilt Wi-Fi for connection to smart device

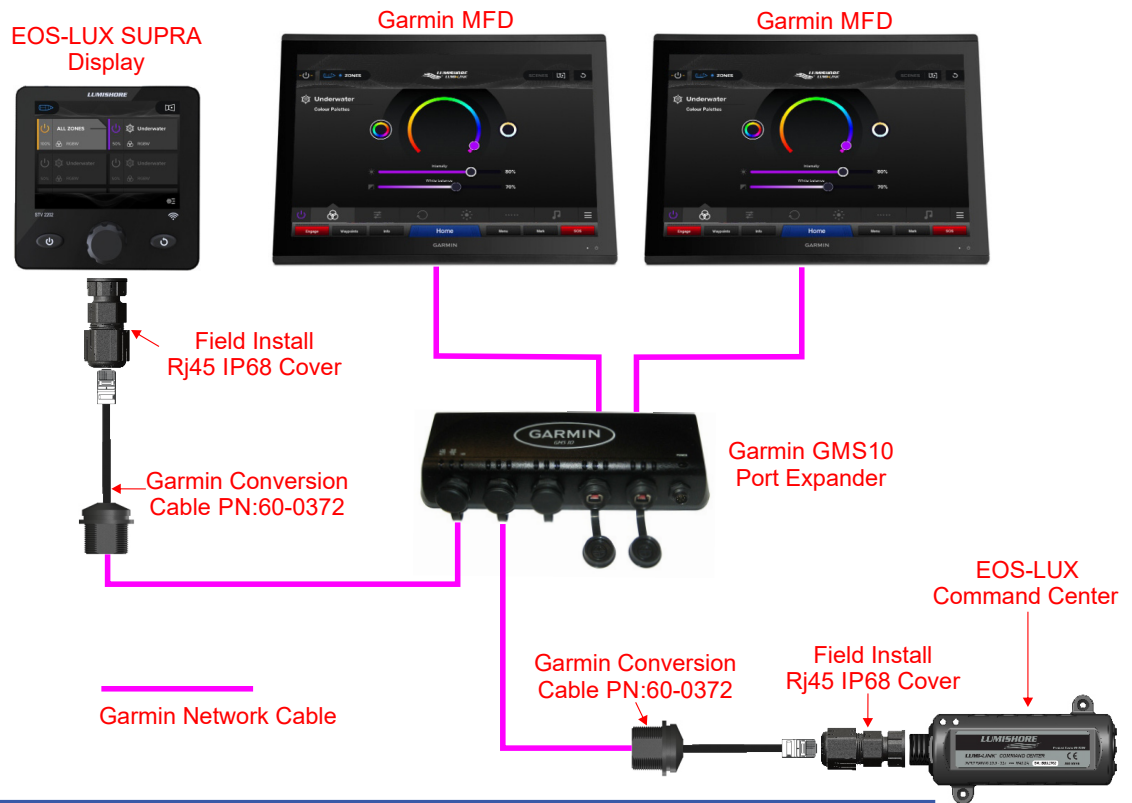
Connection to Garmin Network use Garmin GMS10 Port Expander

Settings Page - check before connecting device



Wi-Fi = OFF
DHCP = OFF

Note: Use MFD Wi-Fi for connection to smart device



Note: To prevent the GMS10 switching off when the MFD is turned off connect its yellow wire to Ground.

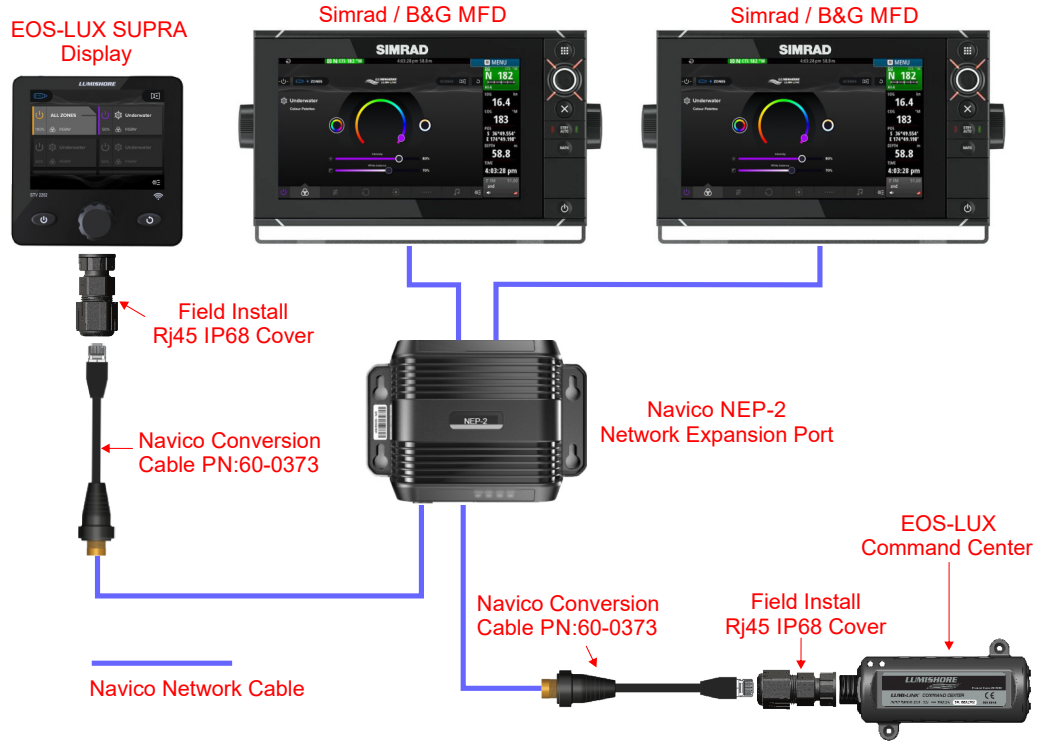
Connection to Navico Network use Navico NEP-2 Network Port Expander

**Settings Page -
check before
connecting device**



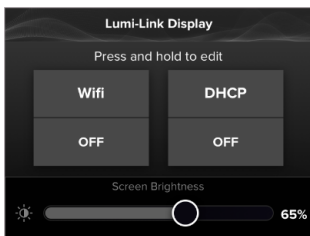
**Wi-Fi = OFF
DHCP = OFF**

Note: Use MFD Wi-Fi for connection to smart device



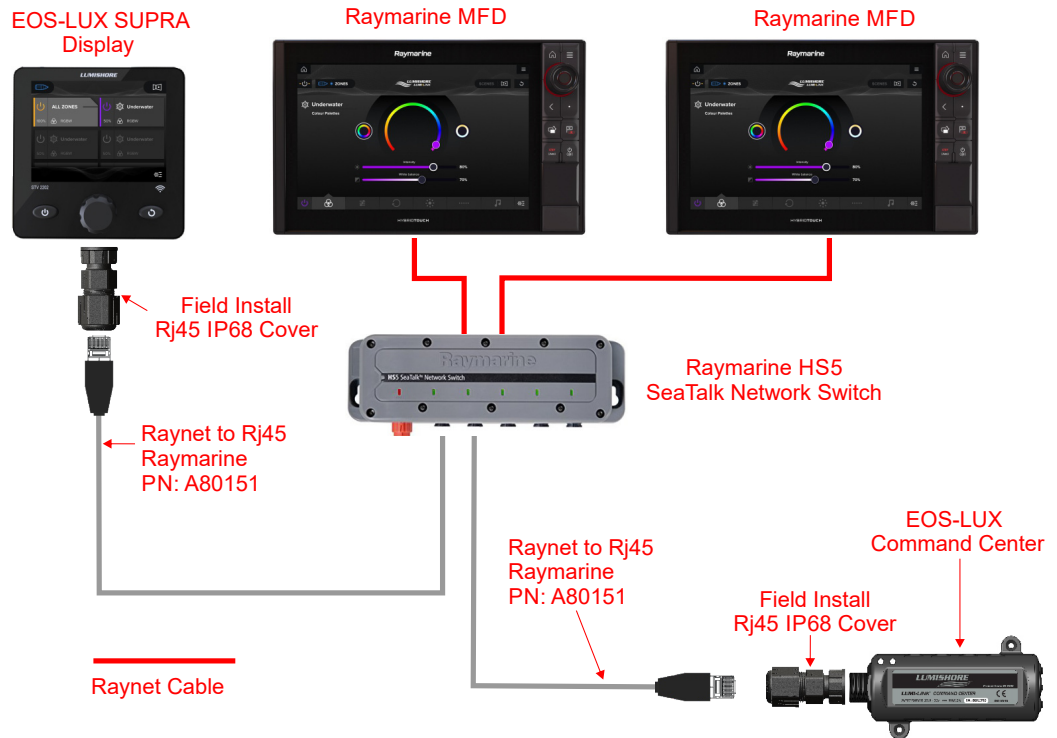
Connection to Raymarine Use HS5 SeaTalk Network Switch

**Settings Page -
check before
connecting device**



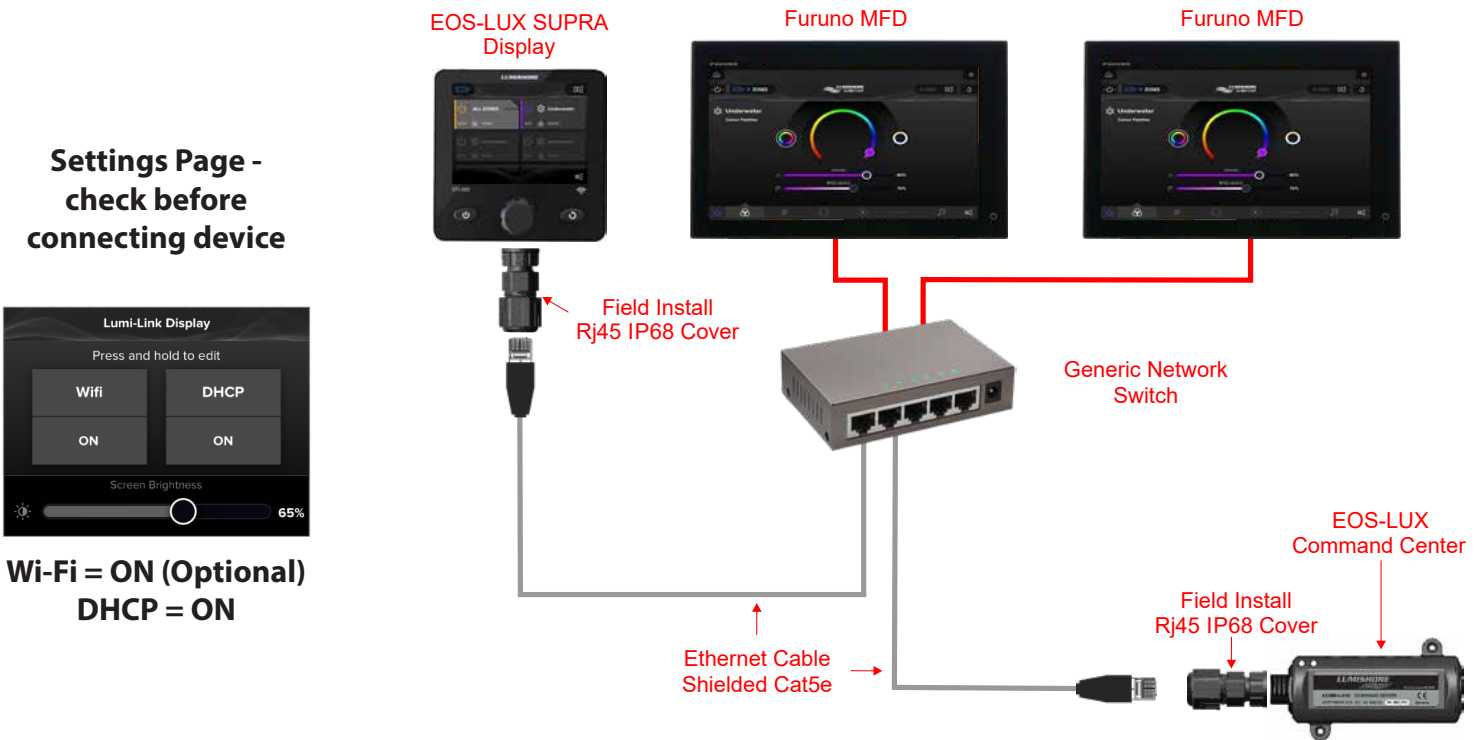
**Wi-Fi = OFF
DHCP = OFF**

Note: Use MFD Wi-Fi for connection to smart device



Connection to Furuno Use Generic Network Switch

Note: Furuno MFD Support on EOS-LUX SUPRA Display Version No: 1.07.01/1.06.01 and Higher



Warranty

LUMISHORE Ltd warrants its lighting systems and associated lights and accessories to be free from defects in workmanship for a period of three years, starting from the date of original purchase. Should your lighting system have a problem during this period, please contact your dealer, boat manufacturer or broker as soon as you become aware of the defect.

Misuse, abuse, improper installation, neglect, improper shipping, damage caused by disasters (e.g. fire, flood, storm and lightning), installation by unqualified personnel, unauthorized repair or modification or non-approved installations will void this warranty. For the avoidance of confusion and doubt, non compliance with all installation guidelines, maintenance and operating instructions in this document constitute non conformance with warranty terms.

Full warranty details including exclusions are available at www.lumishore.com