

SY Series EOS AC Integrated Mains Driver Installation and Operating Instructions

(Note: EOS Driver for use with SY 250, SY 300, SY310
and TRX 802 Lights)

Congratulations! You have purchased a LUMISHORE advanced technology underwater light. Every care has been taken to ensure your LUMISHORE lights and drivers arrives in perfect condition, so please enjoy the ultimate experience in underwater lighting.

LUMISHORE high intensity underwater lights are designed for those owners who prefer the integrity of a Weld-in installation in a light that employs the most powerful, efficient and cost effective underwater LED lighting on the market today. The LUMISHORE Weld-in lighting system is suitable for many sizes and types of watercraft, including Sports Boats, Cruisers, Yachts and Super Yachts. LUMISHORE Weld-in LED lights come with a compact electronic driver module to ensure trouble free operation for years to come.

Please read the following pages before attempting installation to ensure complete understanding of the LUMISHORE LED lights.

BEFORE YOU START

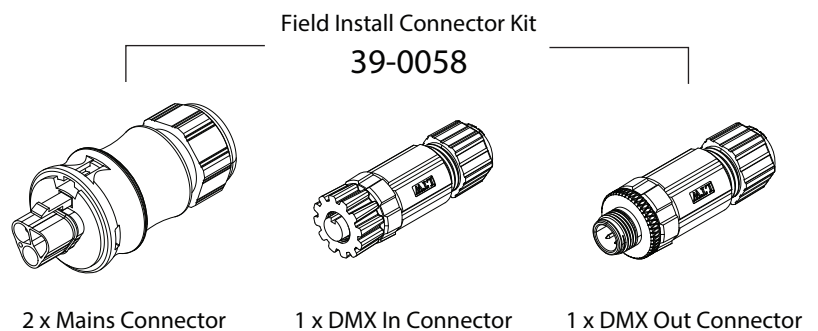
- **High Intensity LED light – Do not stare into the LED module at close proximity.**
- Always ensure that the vessel’s power source is disconnected or isolated prior to installation
- A qualified professional should carry out both the electrical and mechanical installation. If in doubt please contact LUMISHORE. refer to product support section
- The Driver supplies voltage and current to the Underwater lights. **Under no circumstances should the light cable be cut and connected directly to voltage**
- Always use a suitable fuse or circuit breaker to protect the complete system. Each light to be individually fused.
- The light should be installed 6” - 10” (150-250mm) below the minimum load waterline.
- For best results install the lights between 2.5ft (0.8m) and 6.5ft (2m) apart.
- Never try to install or remove light with the vessel in the water.
- Lights should not be exposed to any temperatures in excess of 150°F (65°C). For example, next to hot engine components or where exhaust emissions could be expelled onto the light while underwater

SUPPLIED PARTS

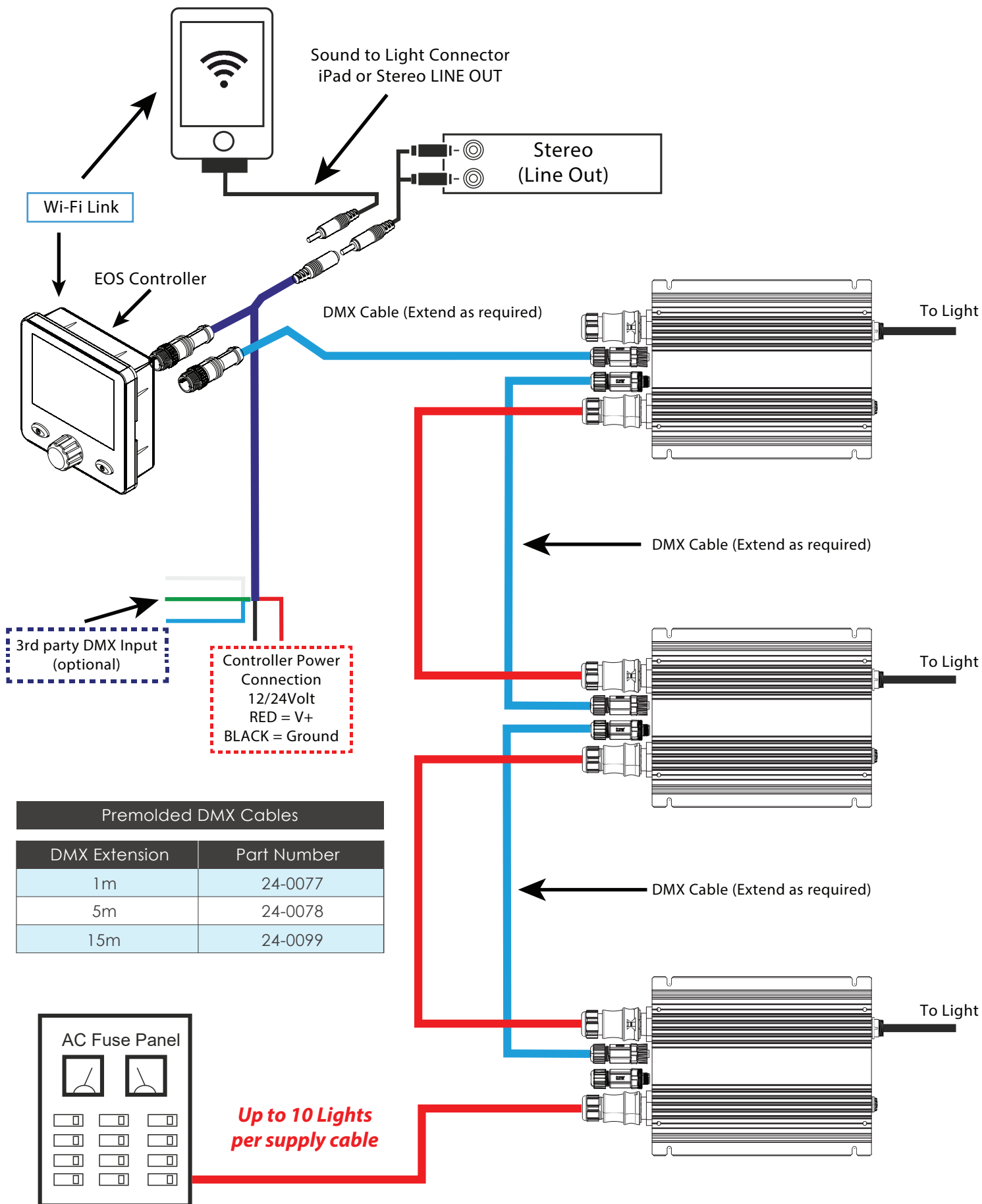


SY EOS Series Mains Driver Part Numbers

Product	No
SY220	28-0076
SY 250	28-0077
SY 300 / 310	28-0072
TRX 802	28-0082

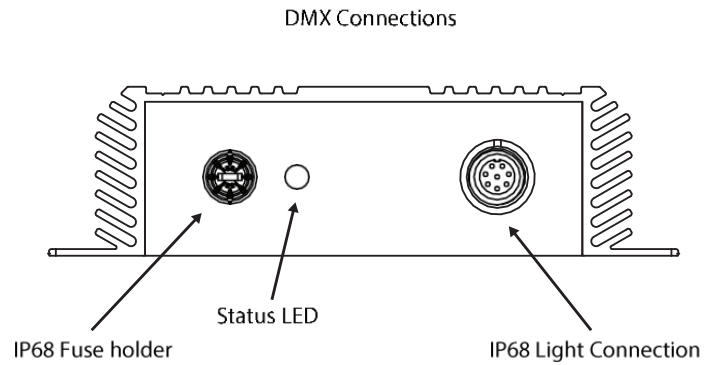
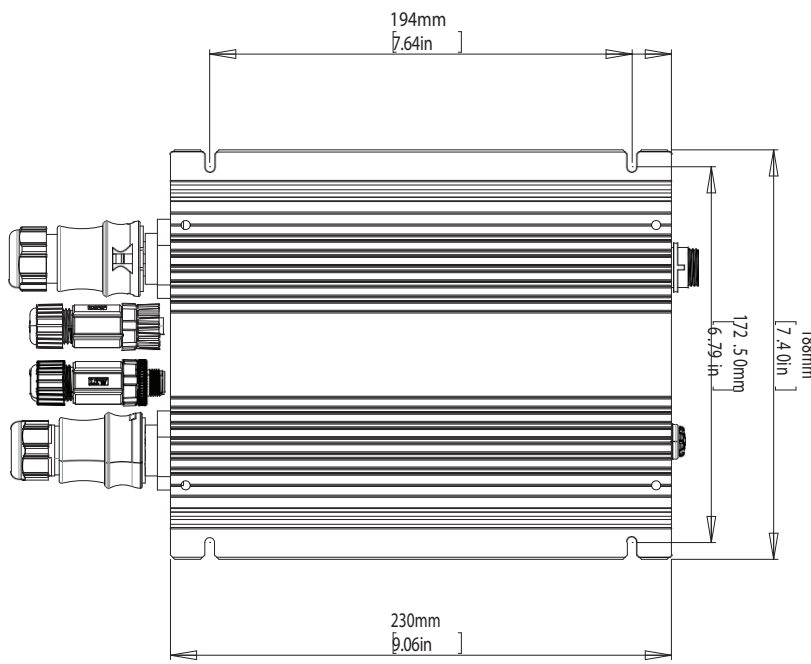


TYPICAL INSTALLATION

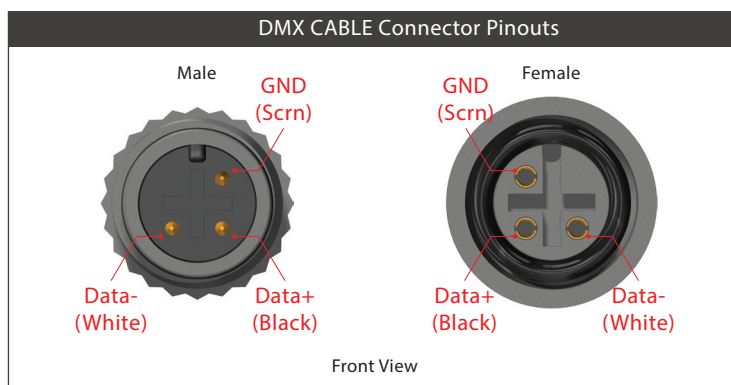
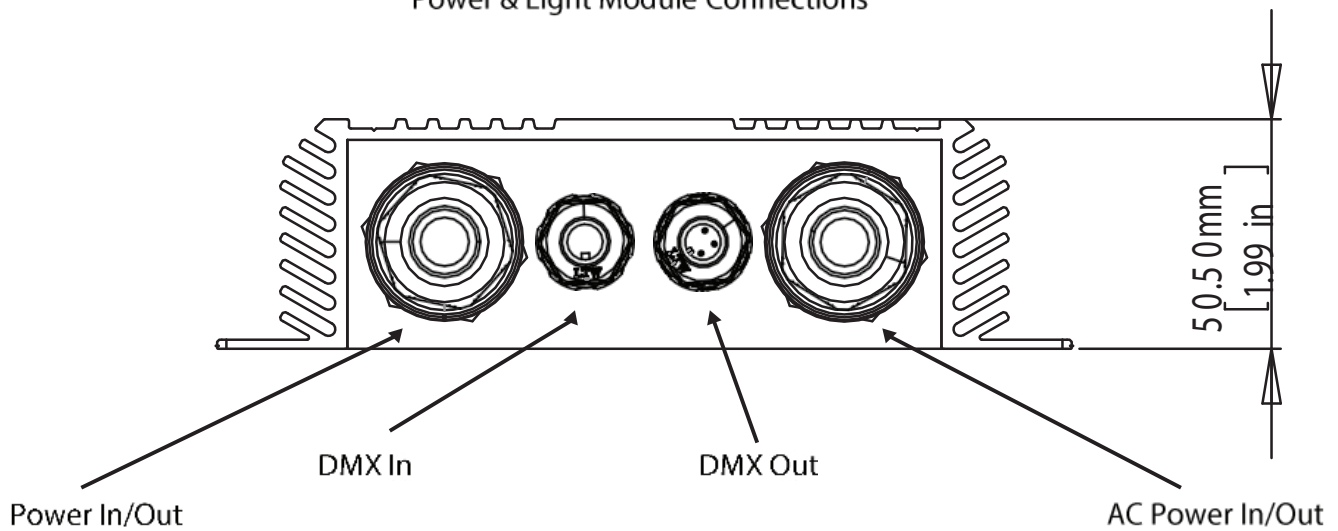


INSTALLING THE MAINS DRIVER

Input Voltage Range: 90-240VAC (50/60Hz)
 Maximum Input Current: 2.1Amp



Power & Light Module Connections



* Pre-terminated DMX Extension cables are available from Lumishore in 1m, 5m and 15m lengths

When Installing the drivers these instructions shall be followed:

- The driver should be mounted in an accessible area within reach of the light cable length supplied. Take care to plan the cable route to the light
- The driver should be mounted to a flat, insulating surface using the four mounting holes provided
- The input voltage cable used should be a suitable marine approved mains cable

For details on the light installation please refer to the light installation instructions.

TESTING THE LIGHTS

The underwater lighting system should always be tested before the boat goes back in the water. Check that each light comes on, and all lights change in sequence as per the system operation section above. See the problem solving guide for advice on resolving any issues.

WARRANTY

LUMISHORE Ltd warrants the lighting system to be free from defects in workmanship for a period of three years, starting from the date of original purchase. Should your lighting system have a problem during this period, please contact your dealer as soon as you become aware of the defect.

Misuse, abuse, improper installation, neglect, improper shipping, damage caused by disasters (e.g. fire, flood and lightning), installation by unqualified personnel, unauthorized repair or modification will void this warranty. For the avoidance of confusion and doubt, non compliance with all installation, maintenance and operating instructions in this document constitute non conformance with warranty terms.

Full warranty details are available at www.lumishore.com.

TROUBLESHOOTING

In the event of one or more of the lights not lighting up then check the LED status on the driver. The LED will either be continually ON (healthy), OFF (no power to driver) or flashing. Please refer to the table below for what the number of flashes means and what action to take..

LED Status	Meaning	Action to take / Things to check
No LED light on driver	No power to driver	Check fuse / breaker Check connections Check voltage at input to driver connections
Solid LED	Power On	Driver is receiving voltage and operating properly Check the switch is operating correctly
Flashing 2 times	Internal PSU issue	Contact Lumishore for help
Flashing 3 times	Light temperature too high	Is the light out of water? or near a heat source? Does the light have the correct driver module connected?
Flashing 4 times	Driver temperature is too high	Check location of the driver - is it near a heat source or in a non-well ventilated area?
Flashing 7 times	Light Voltage out of range	Check cable connections from light to driver Check there are no bent pins, or damage to the connector
Flashing 8 times	Driver cannot detect light	Check cable connections from light to driver Check there are no bent pins, or damage to the connector

In the event of an issue then:

1. Check the operation of the light and driver with only that light and driver powered
2. If the light is still not operational then swap the driver with the flashing LED with a driver which is known to be working and re-test the light
3. Test the driver with a known good light
4. This will determine if the issue is with the light or the driver
5. Record the serial numbers of both the light and the driver and contact Lumishore for further help



If a light does not switch on, or function normally it should be disconnected from the power source